

Distributed by:

**JAMECO**<sup>®</sup>  
ELECTRONICS

**www.Jameco.com ♦ 1-800-831-4242**

The content and copyrights of the attached  
material are the property of its owner.

Jameco Part Number 232400

LOC		DIST		REVISIONS			
P	LTR	DESCRIPTION	DATE	DWN	APVD		
Z		ECO-05-015604	04APR06	BSV	DB		

- 1. POST TO WITHSTAND 13 NEWTONS (3LBS.) MIN. AXIAL FORCE IN BOTH DIRECTIONS SHOWN WITHOUT DISLODGING.
- 2. TOLERANCES APPLY TO SOLDER SIDE OF BOARD.
- 3. MEASURED AT SURFACE  $\square$ -A-
- 4. PLASTIC FLASH PERMITTED IN THIS AREA.
- 5. PARTS COMPLY WITH AMP SOLDERABILITY SPEC. NO. 109-11-2.
- 6. ONE HOLE MAY BE UNDERSIZED (.065/.060 DIA.) FOR ASSEMBLY RETENTION DURING WAVE SOLDERING.
- 7. MATERIAL: HEADER-THERMOPLASTIC POLYESTER GLASS-FILLED 94V-0(NATURAL) (FIG.2)  
POST-COPPER ALLOY (TIN PLATED)
- MATERIAL: HEADER-THERMOPLASTIC POLYESTER NON-FILLED 94V-0(NATURAL) (FIG.1)  
POST-COPPER ALLOY (TIN PLATED)
- 8. COORDINATE DIMENSION APPLIES FROM CENTER OF ACTUAL FEATURE.
- 9. PLASTIC BURRS CAUSED BY CUT-OFF TOOLING ARE PERMITTED WITHIN THE MAXIMUM TOLERANCE ENVELOPE.
- 10. POST TO BE MEASURED WHEN STRIP IS HELD FLAT.
- 11. POST MUST WITHSTAND TWO 90° BENDS AGAINST EXTRUSION WITHOUT BREAKING.
- 12. DIMENSION SHOULD BE .325-.400 WHEN MATING WITH A MTA 156 CONNECTOR ASSEMBLY OR .325-.345 WHEN MATING WITH A SL-156 CONNECTOR ASSEMBLY.
- 13. PIN BURR OF .005 MAX. VERTICAL AND .003 MAX. HORIZONTAL PERMITTED AT POST TIPS ON BOTH ENDS.

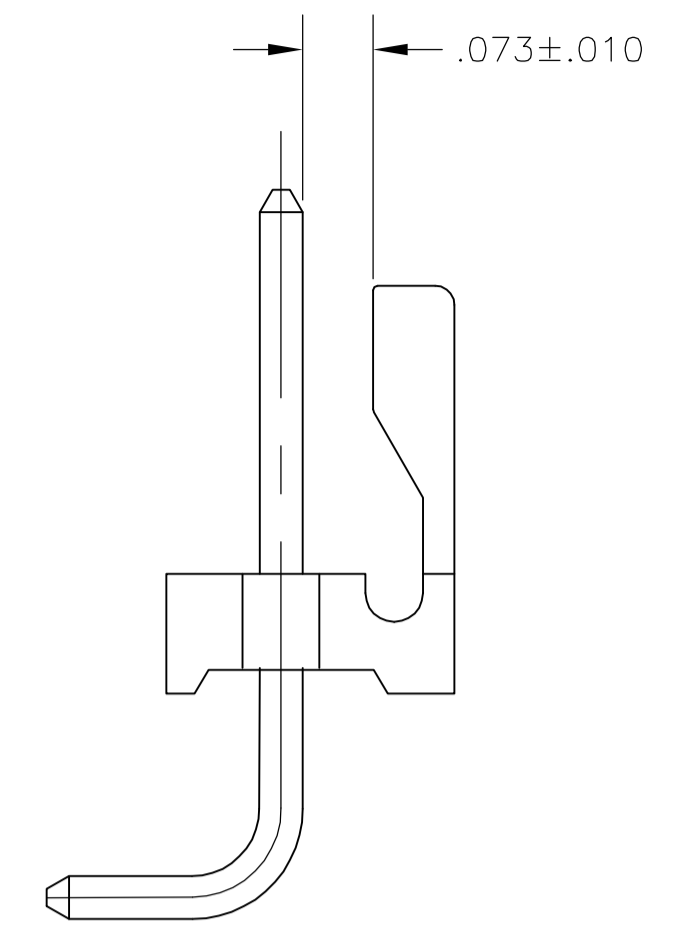
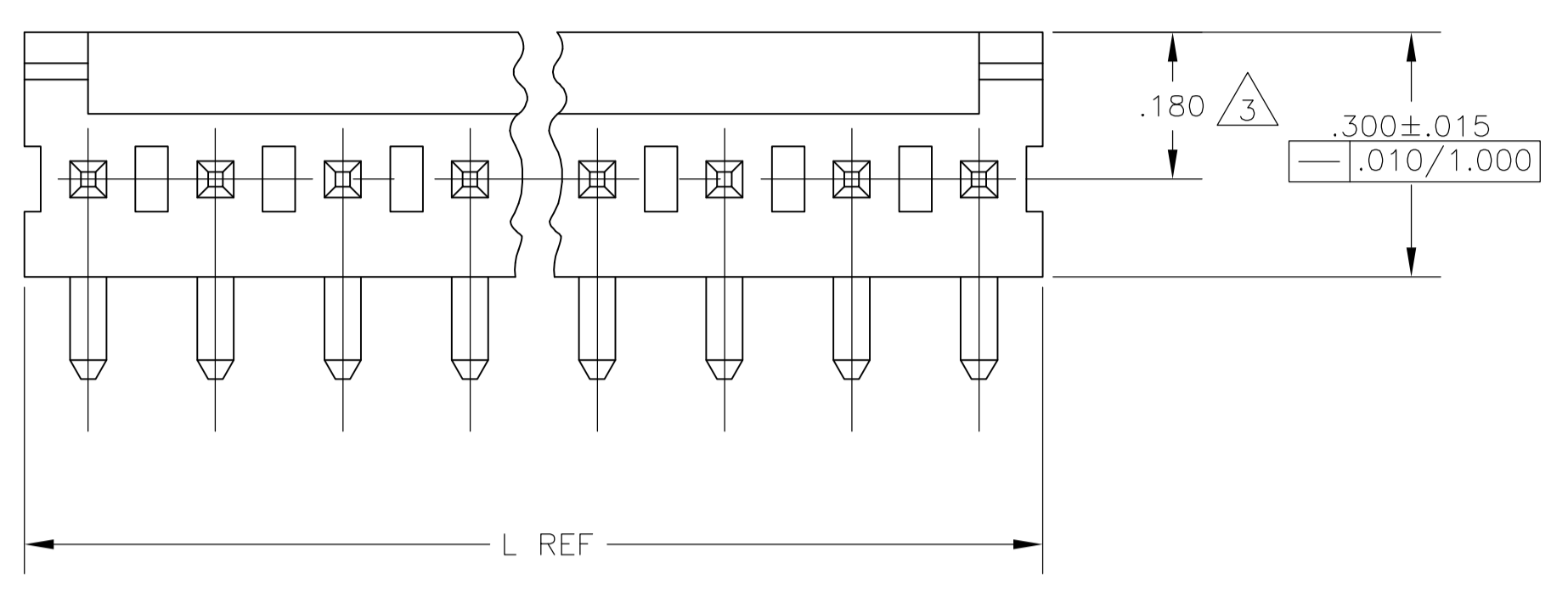


FIG. 2

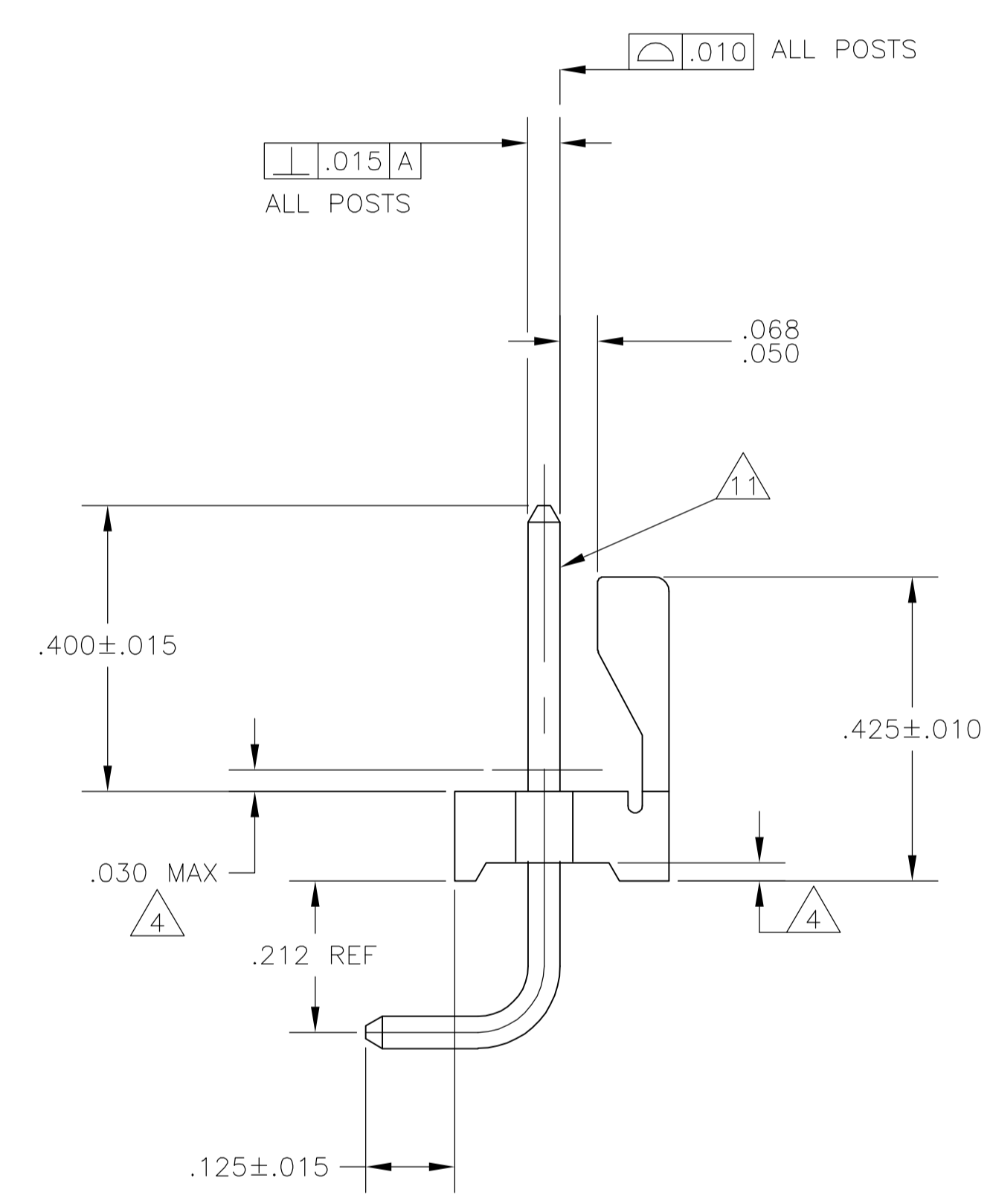
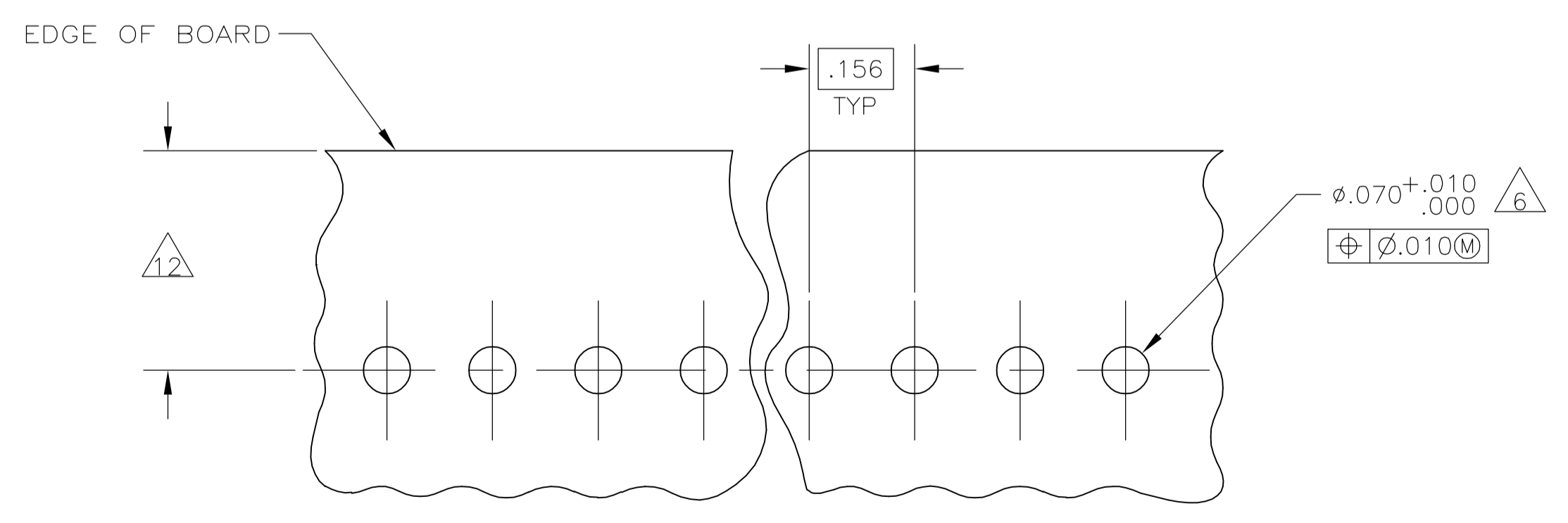
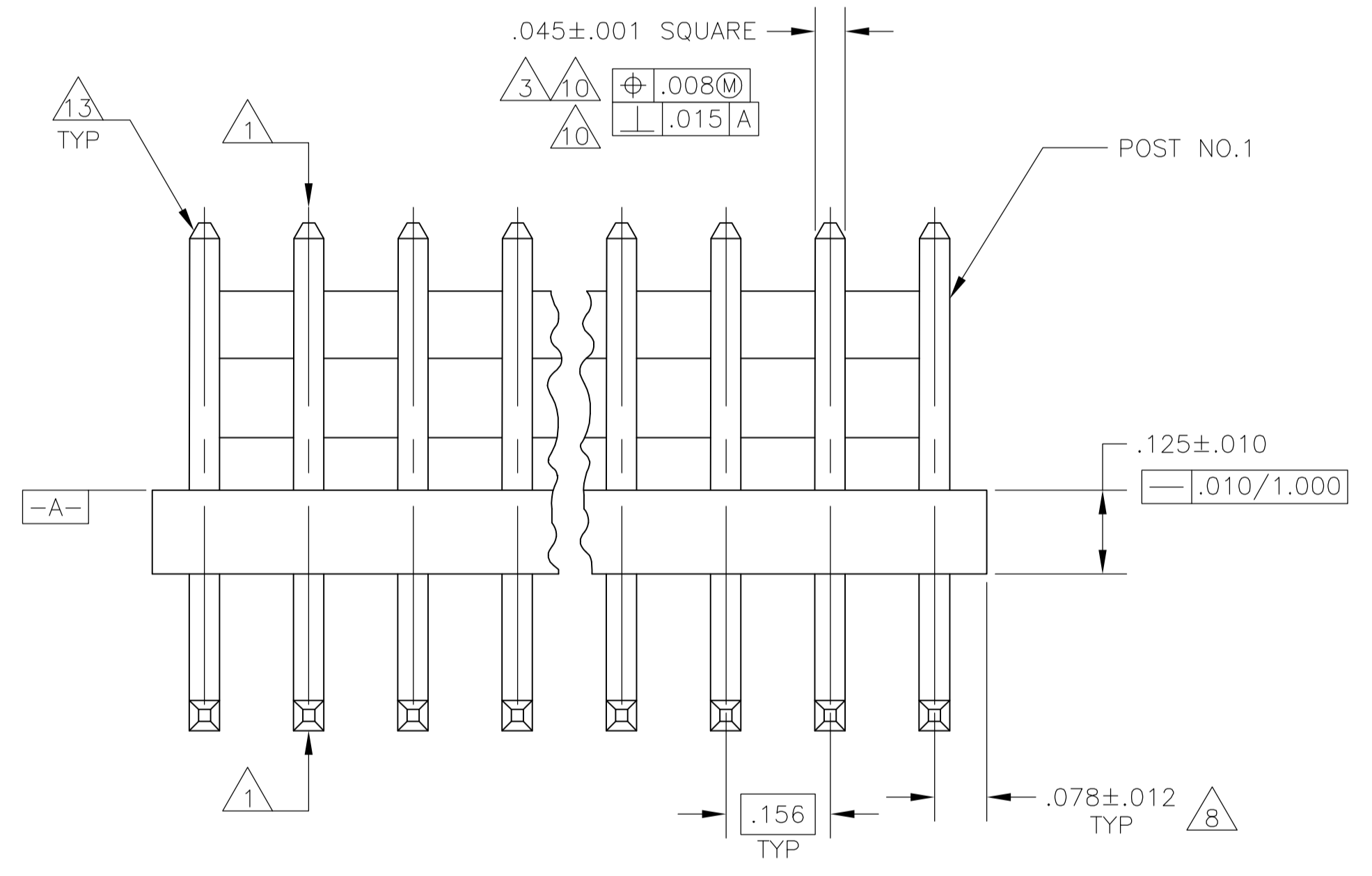


FIG. 1



RECOMMENDED MOUNTING HOLE PATTERN FOR .063 THICK P.C. BOARD

IN	MM	IN	MM
.073	1.85		
.070	1.78		
.068	1.73		
.065	1.65	1.000	25.40
.063	1.60	.450	11.43
.060	1.52	.425	10.80
.045	1.14	.400	10.16
.030	0.76	.345	8.76
.015	0.38	.325	8.26
.012	0.30	.300	7.62
.010	0.25	.212	5.38
.008	0.20	.180	4.57
.005	0.13	.156	3.96
.003	0.08	.125	3.18
.001	0.03	.078	1.98
IN	MM	IN	MM

CONVERSION TABLE

FIG NO	MM	[IN]	NUMBER OF POSITIONS	PART NUMBER
2	95.10	3.744	24	2-640389-4
2	91.14	3.588	23	2-640389-3
2	87.17	3.432	22	2-640389-2
2	83.21	3.276	21	2-640389-1
2	79.25	3.120	20	2-640389-0
2	75.29	2.964	19	1-640389-9
2	71.32	2.808	18	1-640389-8
2	67.36	2.652	17	1-640389-7
2	63.40	2.496	16	1-640389-6
2	59.44	2.340	15	1-640389-5
2	55.47	2.184	14	1-640389-4
2	51.51	2.028	13	1-640389-3
2	47.55	1.872	12	1-640389-2
2	43.59	1.716	11	1-640389-1
2	39.62	1.560	10	1-640389-0
2	35.66	1.404	9	640389-9
1	31.70	1.248	8	640389-8
1	27.74	1.092	7	640389-7
1	23.77	.936	6	640389-6
1	19.81	.780	5	640389-5
1	15.85	.624	4	640389-4
1	11.89	.468	3	640389-3
1	7.92	.312	2	640389-2

THIS DRAWING IS A CONTROLLED DOCUMENT.

DIN S. HOOVER	OSNOV02	Tyco Electronics Corporation Harrisburg, PA 17105-3608
CHK D. BOSSI	OSNOV02	
APVD D. BOSSI	OSNOV02	NAME
DIMENSIONS: INCHES		PRODUCT SPEC
TOLERANCES UNLESS OTHERWISE SPECIFIED:		APPLICATION SPEC
0 PLC ± -	1 PLC ± -	SIZE
2 PLC ± -	3 PLC ± -	WEIGHT
4 PLC ± -	ANGLES ± -	CUSTOMER DRAWING

MTA-156 HEADER ASSEMBLY, FRICTION LOCK, RIGHT ANGLE, FRONT BEND .045 SQUARE POST, TIN PLATED

SCALE 5:1 SHEET 1 OF 1 REV Z

