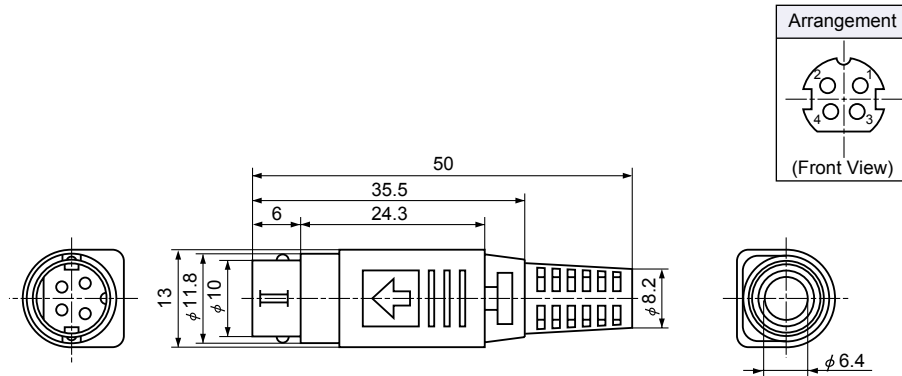
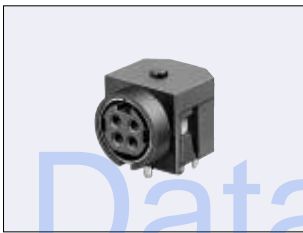
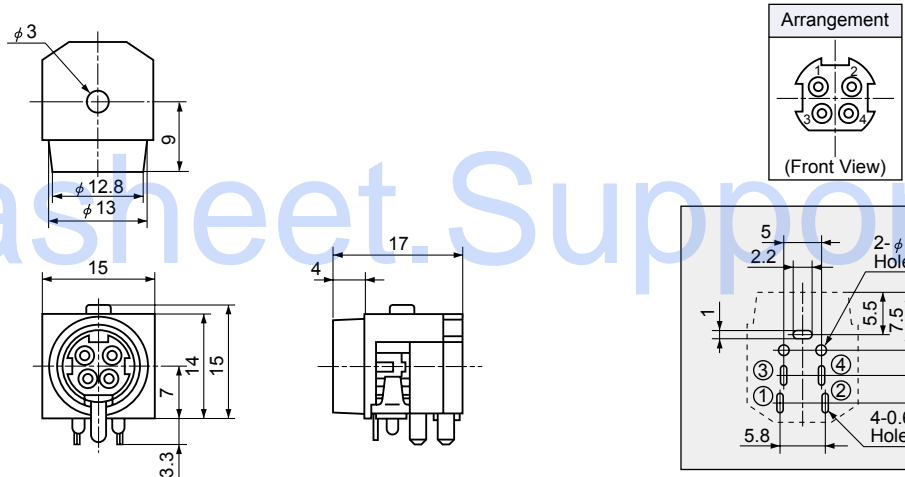


**TCP8941**
**Plug (4P)**

**TCP8941-341177**  
**Quick Lock Type**


4.8 mm, 5.5 mm and 6.0 mm are available for cable diameter.

**TCS7979**
**Socket (4P)  $h = 14$  mm**

**TCS7979-5420177**


Supporting plate model is also available. (TCS7979-4420177)

Rating	3P	Pin Nos. 1 & 2	7.5 A 20 V DC max.
		Pin No. 3	1 A 20 V DC max.
	4P	Pin Nos. 1 ~ 4	7.5 A 20 V DC max.
Insulation Resistance			50 MΩ min. at 250 V DC
Dielectric Strength			250 V AC / 1 minute
Contact Resistance	3P	Pin Nos. 1 & 2	30 mΩ max.
		Pin No. 3	50 mΩ max.
	4P	Pin Nos. 1 ~ 4	30 mΩ max.
Insertion Force			49 N max.
Withdrawal Force			0.98 N to 49 N

- Applicable wire size:  
 3P Pin Nos. 1 & 2 : AWG #18 max.  
 Pin No. 3 : AWG #24 max.  
 4P Pin Nos. 1 ~ 4 : AWG #18 max.
- Connections to pin: Soldering method.
- UL-approved material (94 V-0) is used for the insulation material.
- Parts not assembled, are sold in sets.  
 For the package style, refer to the authorized drawing.