

## MATERIALS

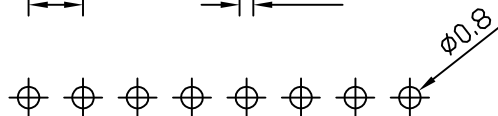
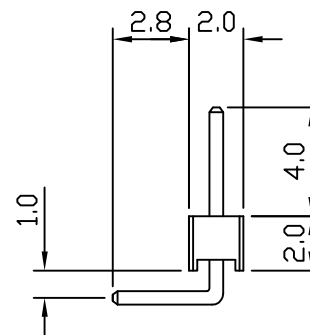
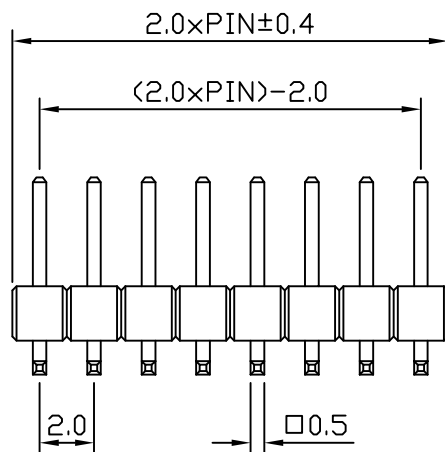
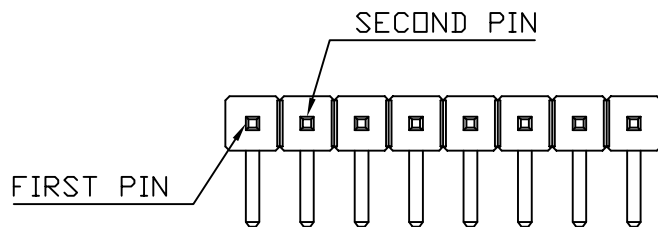
1. CONTACT: BRASS
2. INSULATOR: NY6T (UL 94V-0)
3. CONTACT PLATING: GOLD OVER NICKEL

## SPECIFICATION

1. CONTACT RESISTANCE: 20m ohms Max
2. INSULATOR RESISTANCE: 1000M ohms Min
3. CURRENT RATING: 2 Amp
4. DIELECTRIC WITHSTANDING VOLTAGE: AC 500V
5. OPERATING TEMPERATURE: -55°C TO +105°C

ORDER INFORMATION PART NUMBER :  
PH20-1XXR-6T

└─ NO. of contek = Code  
102( 2 PIN ) TO 140( 40 PIN )



P.C.B. LAYOUT