

Distributed by:

**JAMECO**<sup>®</sup>  
ELECTRONICS

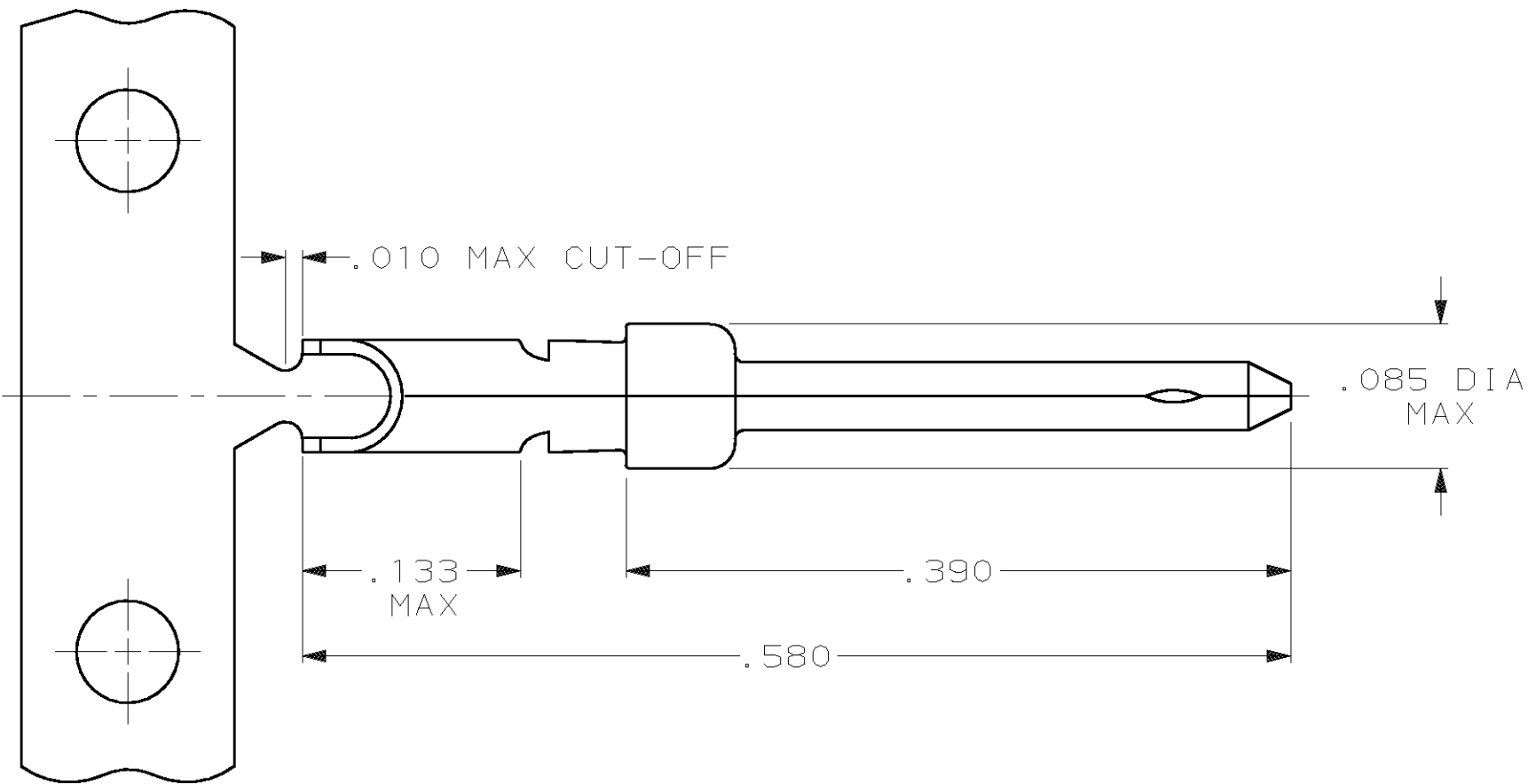
**www.Jameco.com ♦ 1-800-831-4242**

The content and copyrights of the attached  
material are the property of its owner.

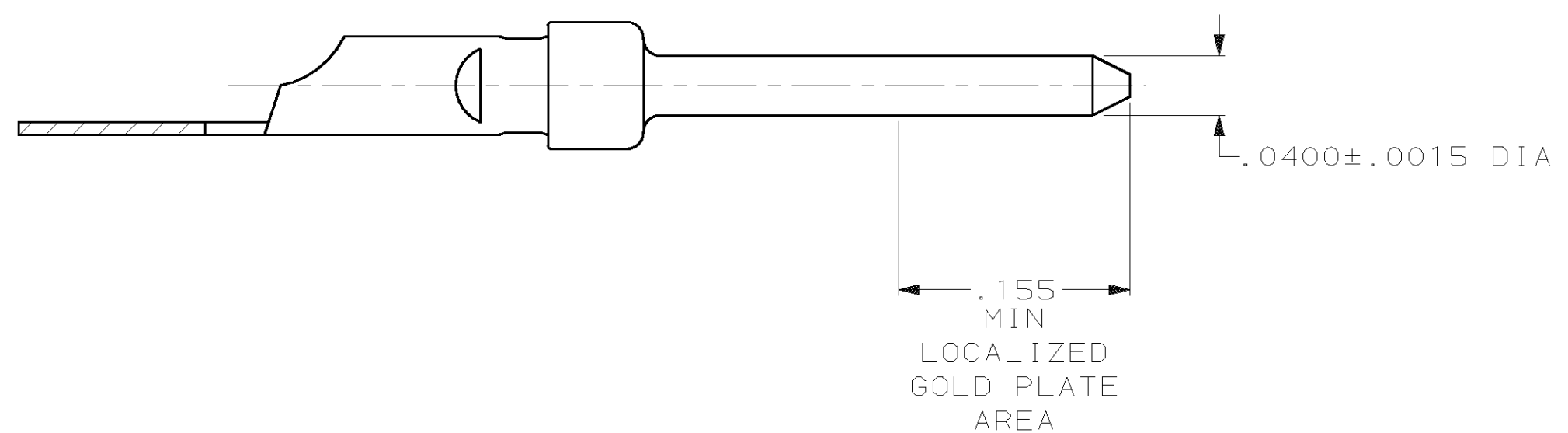
*Jameco Part Number 234982*

THIS DRAWING IS UNPUBLISHED. RELEASED FOR PUBLICATION ,19 .  
 © COPYRIGHT 19 BY AMP INCORPORATED, HARRISBURG, PA. ALL INTERNATIONAL RIGHTS RESERVED. AMP PRODUCTS MAY BE COVERED BY U.S. AND FOREIGN PATENTS AND/OR PATENTS PENDING.

LOC	DIST	P	F	ZONE	LTR	DESCRIPTION	DATE	APPD
BD	48				E	REVISED & REDRAWN ECN-1606	7-28-86	-
					F	REVISED ECN-2118	2-15-88	CR LB
					G	REVISED ECN-BD3271	9-5-89	LB
					H	REV PER ECN BD3784	07/18/90	JW
					J	OBS -7 PER ECN BD6177	06/17/92	TS
					J1	ADDED -8 PER NPR 4837	06/15/93	SB
					K	OBS -4 & -6 PER EC 0020-1514-93	04/15/94	LF
					L	REV PER EC 0020-995-95	19 SEP 95	CS
					M	REV PER EC 0420-0036-96	14 OCT 96	PF
					N	REV PER EC 0640-441-98	18 MAR 99	RT



- GOLD PLATING MAY NOT APPEAR ON CARRIER STRIP.
- GOLD PLATING PER MIL-G-45204, NICKEL PLATING PER QQ-N-290, TIN PLATING PER MIL-T-10727.
- GOLD PLATED IN LOCALIZED GOLD PLATED AREA, .000030 GOLD IN MATED AREA, GOLD FLASH ON REMAINDER, OVER .000050 NICKEL.
- GOLD PLATED IN LOCALIZED GOLD PLATED AREA, GOLD FLASH IN MATED AREA, TIN PLATED WIRE BARREL, OVER .000030 NICKEL.
- GOLD PLATED IN LOCALIZED GOLD PLATED AREA, .000030 GOLD IN MATED AREA, TIN PLATED WIRE BARREL, OVER .000030 NICKEL.
- .046 MAX DIA CONDUCTOR (UP TO 18 AWG).



	SMALL PACK	3	LOOSE PIECE	66570-8
OBSOLETE	STANDARD	5	STRIP	66570-6
OBSOLETE	STANDARD	4	STRIP	66570-4
	STANDARD	3	LOOSE PIECE	66570-3
	STANDARD	3	STRIP	66570-2

PACKAGING TYPE	FINISH	TYPE	PART NUMBER
----------------	--------	------	-------------

UNLESS OTHERWISE SPECIFIED DIMENSIONS ARE IN INCHES TOLERANCES ON :	DR 9-9-86 S.WELDON	AMP INCORPORATED Harrisburg, Pa. 17105		
2 PL DEC ± -	CHK 9-9-86 C.RICHARD			
3 PL DEC ± .005	APPD 9-10-86 L.BREKOSKY	NAME PIN CONTACT, SIZE 20 DF, WITH SOLDER CUP, AMPLIMITE™		
ANGLES ± -	APPD 9-10-86 V.KUMAR			
MATERIAL	PRODUCT SPEC	SIZE	FSCM NO	DRAWING NO
BRASS PER MIL-C-50	-	C	00779	66570
FINISH	APPLICATION SPEC	SCALE	SHEET	
SEE TABLE	-	10:1	1 OF 1	
	WEIGHT			
	-			