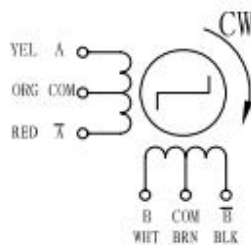
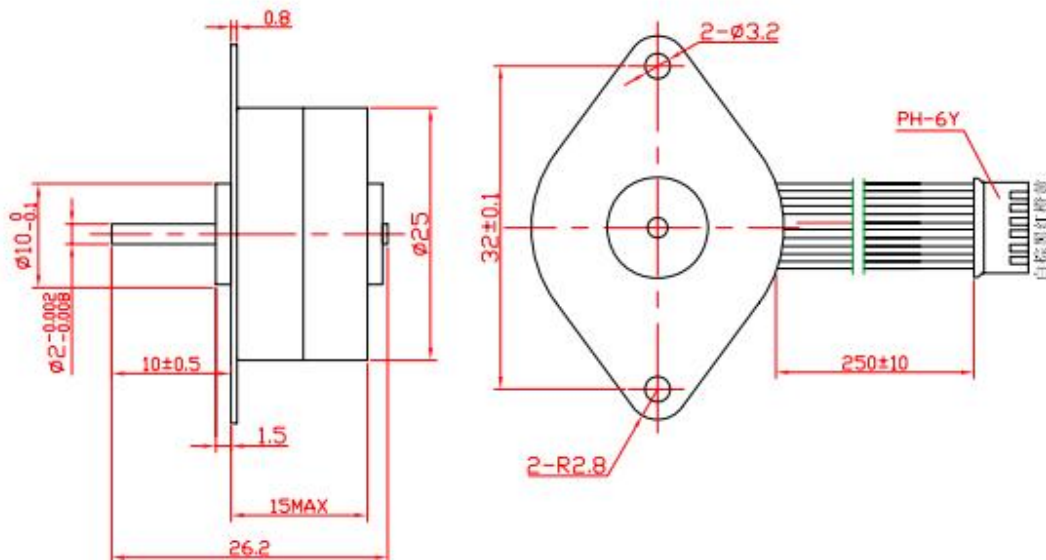


Step Angle-----7.5 ° ±7%  
 Insulation Resistant-----500V DC 100MΩ Min  
 Operating Temp Range----- -10 ~ +40 Degree C  
 Storage Temp Range----- -30 ~ +80 Degree C  
 Pull-in Rate-----750pps MIN  
 Insulation Class----- Class E

MFG Model	Step Angle (Degree)	No of Phase	Voltage (V)	Current (A)	Resistance (Ohm)	Inductance (mH)	Holding Torque (g-cm)	Detent Torque (g-cm)	Rotor inertia (g.cm2)
25BY4801	7.5	4	5	0.5	10	16	110	45	1



Pin No.	WIRE COLOR	STEP			
		1	2	3	4
1	白 WHT	-	-	-	-
2	棕 BRN	+	+	+	+
3	黑 BLK	-	-	-	-
4	红 RED	-	-	-	-
5	橙 ORG	+	+	+	+
6	黄 YEL	-	-	-	-