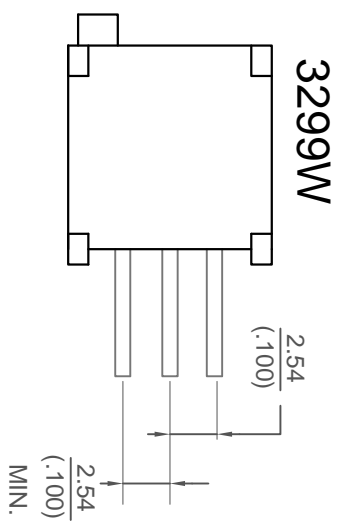
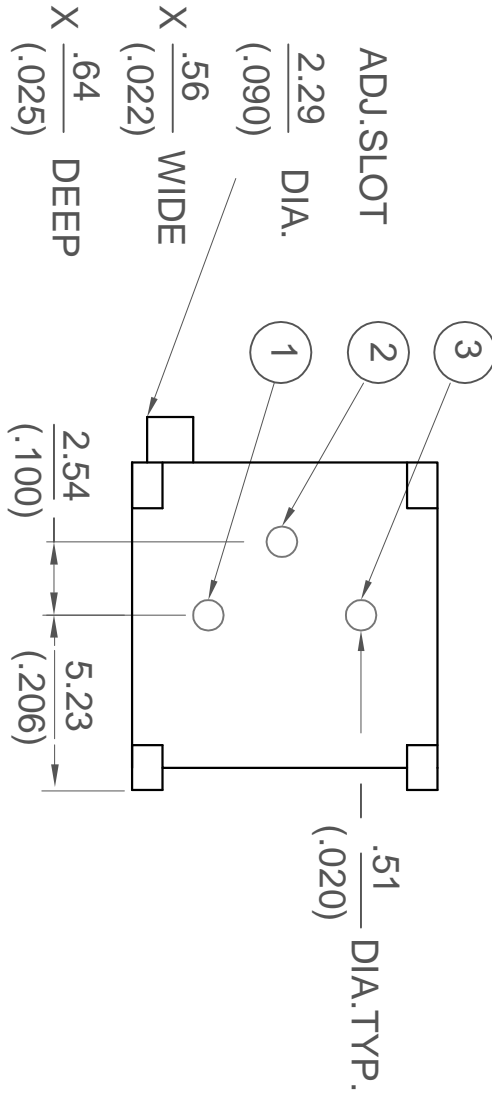
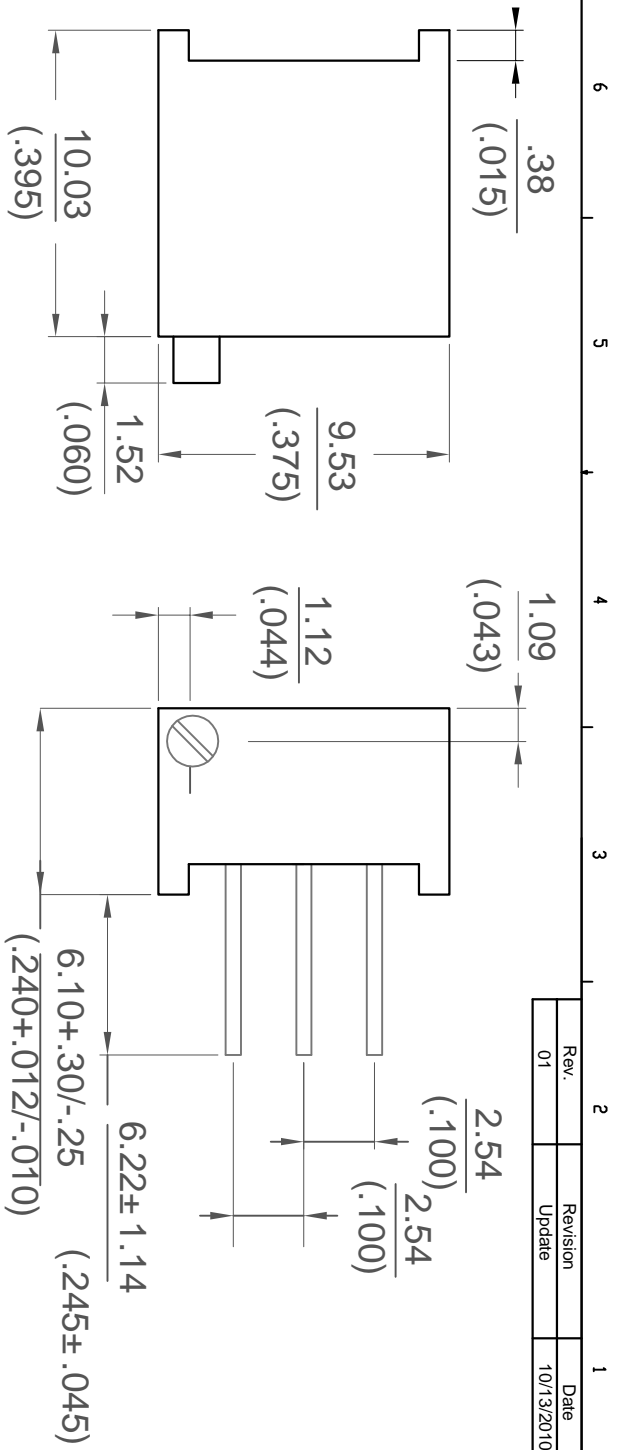


| NO. | ITEM | SPECIFICATION |
|-----|-----------------------|-------------------------|
| 1 | Resistance | 10000ohm |
| 2 | Torque | 3.0oz-in max |
| 3 | Terminals | Solderable pins |
| 4 | Adjustment Tool | H-90 |
| 5 | Flammability | UL 94V-0 |
| 6 | Wiper | 50% (Actual TR) ± 10% |
| 7 | Insulation Resistance | 500VDC 1000megohms min. |
| 8 | Standard Packaging | 50pcs. per tube |
| 9 | Temperature Range | -55° C--+125° C |
| 10 | Weight | 0.035oz. |



TOLERANCES: ±0.25(.010) EXCEPT WHERE NOTED
 DIMENSIONS ARE: _____ MM _____ (INCHES)

| Rev. | Revision | Date |
|------|----------|------------|
| 01 | Update | 10/13/2010 |

| | | | |
|-------------|------|-------------------|-----------------|
| DRAWN | Jack | 10/13/2010 | UNIT: mm |
| CHECKED | Sara | 10/13/2010 | Sinotech |
| ENG APPR. | | | |
| MFG APPR. | | | |
| 3299W-1-103 | | | SIZE A4 |
| SCALE: 6:1 | | Weight(oz): 0.035 | DWG. NO. 241146 |
| | | | REV 01 |
| | | | SHEET 1 OF 1 |

8 7 6 5 4 3 2 1