

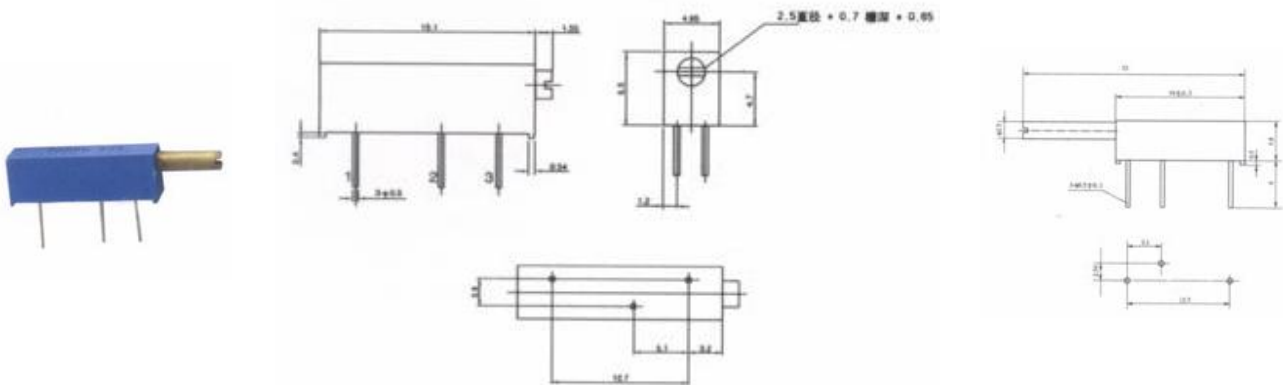
Distributed by:

**JAMECO**<sup>®</sup>  
ELECTRONICS

**www.Jameco.com ♦ 1-800-831-4242**

The content and copyrights of the attached  
material are the property of its owner.

Jameco Part Number 241374



P/N	MFG	Resistance (Ohms)	Characteristics									
			Total Mechanical Travel	Withstand Voltage	Effective Electrical Travel	Rated Power	Starting Torque	Terminal Resistance	Standard Packaging	Mechanical Endurance	Insulation Resistance	Temperature Range
241235	3006P-1-101	100	22±2 cycles	101.3KPa 600V 8.5KPa 350V	22±2 cycles	+70 °C 0.75W +125 °C 0W	30mN.m	≤2G Ω	25pcs/tube	200 cycles ΔR≤±3%	R <sub>i</sub> ≥1G Ω	-55 °C ~+125 °C
241294	3006P-1-103	10,000										
241332	3006P-1-104	100,000	22±2 cycles	101.3KPa 600V 8.5KPa 350V	22±2 cycles	+70 °C 0.75W +125 °C 0W	30mN.m	≤2G Ω	25pcs/tube	200 cycles ΔR≤±3%	R <sub>i</sub> ≥1G Ω	-55 °C ~+125 °C
241374	3006P-1-105	1,000,000										
241307	3006P-1-203	20,000	22±2 cycles	101.3KPa 600V 8.5KPa 350V	22±2 cycles	+70 °C 0.75W +125 °C 0W	30mN.m	≤2G Ω	25pcs/tube	200 cycles ΔR≤±3%	R <sub>i</sub> ≥1G Ω	-55 °C ~+125 °C
241350	3006P-1-204	200,000										
241252	3006P-1-501	500	22±2 cycles	101.3KPa 600V 8.5KPa 350V	22±2 cycles	+70 °C 0.75W +125 °C 0W	30mN.m	≤2G Ω	25pcs/tube	200 cycles ΔR≤±3%	R <sub>i</sub> ≥1G Ω	-55 °C ~+125 °C
241286	3006P-1-502	5,000										
241323	3006P-1-503	50,000	22±2 cycles	101.3KPa 600V 8.5KPa 350V	22±2 cycles	+70 °C 0.75W +125 °C 0W	30mN.m	≤2G Ω	25pcs/tube	200 cycles ΔR≤±3%	R <sub>i</sub> ≥1G Ω	-55 °C ~+125 °C