



SPECIFICATIONS SHEET

PRODUCT TYPE : PIEZO BUZZER

PRODUCT SERIES : DB-E118

DESCRIPTION : PZ BUZZER DUAL 12VDC PLT ABS SP RoHS

COLOR : BLACK

ELECTRICAL SPECIFICATIONS

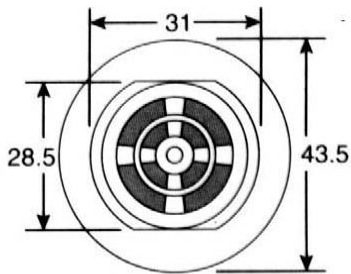
<u>MODEL NO.</u>		<i>11D3120LF - TA</i>
<i>OPERATING VOLTAGE RANGE</i>	(VDC)	4.0 ~ 16.0
<i>RATED VOLTAGE</i>	(VDC)	12.0
* <i>MAX. RATED CURRENT</i>	(mA)	25.0 / 20.0
* <i>MIN. SOUND OUTPUT</i>	(dBA/ 30 cm)	95.0 / 90.0
* <i>FREQUENCY</i>	(Hz)	2900 +/- 500
<i>tone NATURE</i>		DUAL
<i>OPERATING TEMPERATURE</i>	(° C)	- 20 ~ + 60
<i>TERMINAL</i>		PLATE
<i>HOUSING MATERIAL</i>		ABS
<i>WEIGHT</i>	(g)	35.0

* Value applying at rated voltage

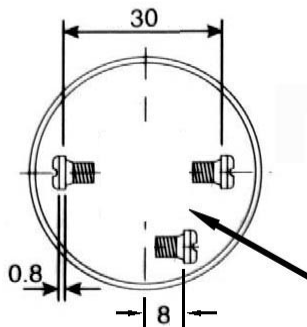
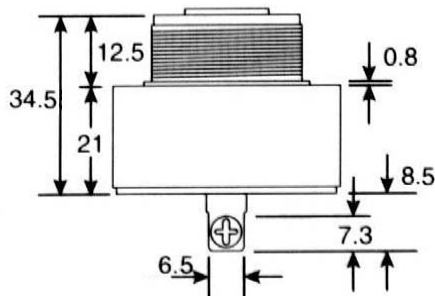
DIMENSIONS

UNIT : mm

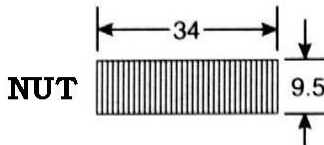
TOP VIEW



SIDE VIEW



BOTTOM VIEW



NUT



Approved By :
Date : 22-Apr.-2005

Prepared By :
Date : 22-Apr.-2005

Modify :	Date :	By :