



HON-KWANG ELECTRIC CO., LTD.
HON-KWANG ELECTRIC(SHENZHEN) CO., LTD
HON-KWANG ELECTRIC(KUNSHAN) CO., LTD

SPECIFICATION FOR APPROVAL

CUSTOMER: Jameco

DESCRIPTION: I.T.E POWER SUPPLY REV: (A0)

MODEL NO: HK-AP-050A100-US PART NO: HKSC-170765

DESIGNED NO: 170765-1222 DATE: DEC.22th.2017

CUSTOMER APPROVED SIGNATURES			VENDOR APPROVED SIGNATURES		
					

鳳冠電機股份有限公司
鳳冠電機(深圳)有限公司
鳳冠電機(昆山)有限公司



鳳冠電機(深圳)有限公司

HON-KWANG ELECTRIC (SHEN ZHEN)CO.,LTD.

MODEL NO. :	HK-AP-050A100-US	PAGE NO. :	1 OF 9
PART NO. :	HKSC-170765	ISSUED DATE:	2017.12.22
DESCRIPTION :	I.T.E POWER SUPPLY	REV:	(A0)

CONTENTS

1. INTRODUCTION
2. INPUT REQUIREMENTS
3. OUTPUT REQUIREMENTS
4. EFFICIENCY
5. LINE REGULATION
6. HOLD UP TIME
7. TURN ON TIME
8. TEMPERATURE COEFFICIENT
9. DIELECTRIC STRENGTH (Hi-Pot) TEST
10. INSULATION RESISTANCE
11. PROTECTION
12. ENVIRONMENTAL CONDITIONS
13. EMI/ EMC
14. RELIABILITY AND QUALITY CONTROL
15. SAFETY
16. OVERALL DRAWING
17. PACKING
18. MARKING
19. TEST REPORT



MODEL NO. :	HK-AP-050A100-US	PAGE NO. :	2 OF 9
PART NO. :	HKSC-170765	ISSUED DATE:	2017.12.22
DESCRIPTION :	I.T.E POWER SUPPLY	REV:	(A0)

1.0 INTRODUCTION

This document specifies a switching power supply with a output of +5V, and electronic process. The switching power supply will provide power for technology equipments including electrical business equipment. The adaptor meets the requirement of lead free and RoHS.

2.0 INPUT REQUIREMENTS

2.1 Input Voltage Range: 100VAC to 240VAC

2.2 Input Frequency Range: 47 Hz to 63 Hz

2.3 Input In-rush Current: 50A Max

2.4 Input Power Consumption at no-load : 0.1W Max

Test condition will be tested after No load operating for 30min then measure it.

2.5 Input Current: 0.2A Max

3.0 OUTPUT REQUIREMENTS

3.1 Output Voltage: +5V

3.2 Output Regulation: No load : 5.4V Max Full load : 4.75-5.25V DC

3.3 Output Load Range: 0-1.0A

3.4 Output Ripple & Noise: 300mV Max @20MHz bandwidth with
10UF/50V capacitance and 104/50V ceramic capacitor.

4.0 EFFICIENCY: $\geq 73.62\%$ @ average of 25/50/75/100% loads 115V&230VAC input

Test condition will be tested after full load operating for 30min then measure it.

5.0 LINE REGULATION: $\pm 2\%$ maximum

6.0 HOLD UP TIME: 10ms Min at 110VAC full load.

7.0 TURN ON TIME: 2S Max at 110VAC full load.



MODEL NO. :	HK-AP-050A100-US	PAGE NO. :	3 OF 9
PART NO. :	HKSC-170765	ISSUED DATE:	2017.12.22
DESCRIPTION :	I.T.E POWER SUPPLY	REV:	(A0)

8.0 TEMPERATURE COEFFICIENT: 0.05%/°C

9.0 DIELECTRIC STRENGTH (Hi-Pot) TEST

9.1 Primary to Secondary :AC 3000 Vrms ,4mA,1minute for type test,
2 second for production test.

10.0 INSULATION RESISTANCE

Primary to secondary: 50M OHM to 500VDC.

11.0 PROTECTION

11.1 Input Protection

The switching power supply has a 10 ohm resistance current fuse to protect itself.

11.2 Output Protection

11.2.1 Output Current:

Overload conditions shall decrease the output voltage. Removal of an output overload shall provide automatic recovery for the output voltage.

11.2.2 Short Circuit Protection: Auto Recovery.



鳳冠電機(深圳)有限公司

HON-KWANG ELECTRIC (SHEN ZHEN)CO.,LTD.

MODEL NO. :	HK-AP-050A100-US	PAGE NO. :	4 OF 9
PART NO. :	HKSC-170765	ISSUED DATE:	2017.12.22
DESCRIPTION :	I.T.E POWER SUPPLY	REV:	(A0)

12.0 ENVIRONMENTAL CONDITIONS

The switching power supply can withstand the following environmental conditions:

12.1 Storage Temperature:-20°C ~ +70 °C

Relative Humidity: 10% ~ 95%

12.2 Operation Temperature:0°C~40°C

Relative Humidity: 10%~95%

13.0 EMI / EMC

The switching power supply has approved by the following standards:

FCC PART 15 Class B; IC ICES-003

14.0 RELIABILITY AND QUALITY CONTROL

14.1 Burn-in

The burn-in test will be performed at least 2 hours at 40 centigrade degrees under full load condition.

14.2 MTBF

When the operation is complying with this specification, the switching power supply's MTBF will be 50,000 hours at 25 centigrade degrees.

15.0 SAFETY

The switching power supply has approved by the following standards:

UL 60950-1, 2nd Edition,2014-10-14

CSA C22.2 NO.60950-1-07, 2nd Edition,2014-10



鳳冠電機(深圳)有限公司

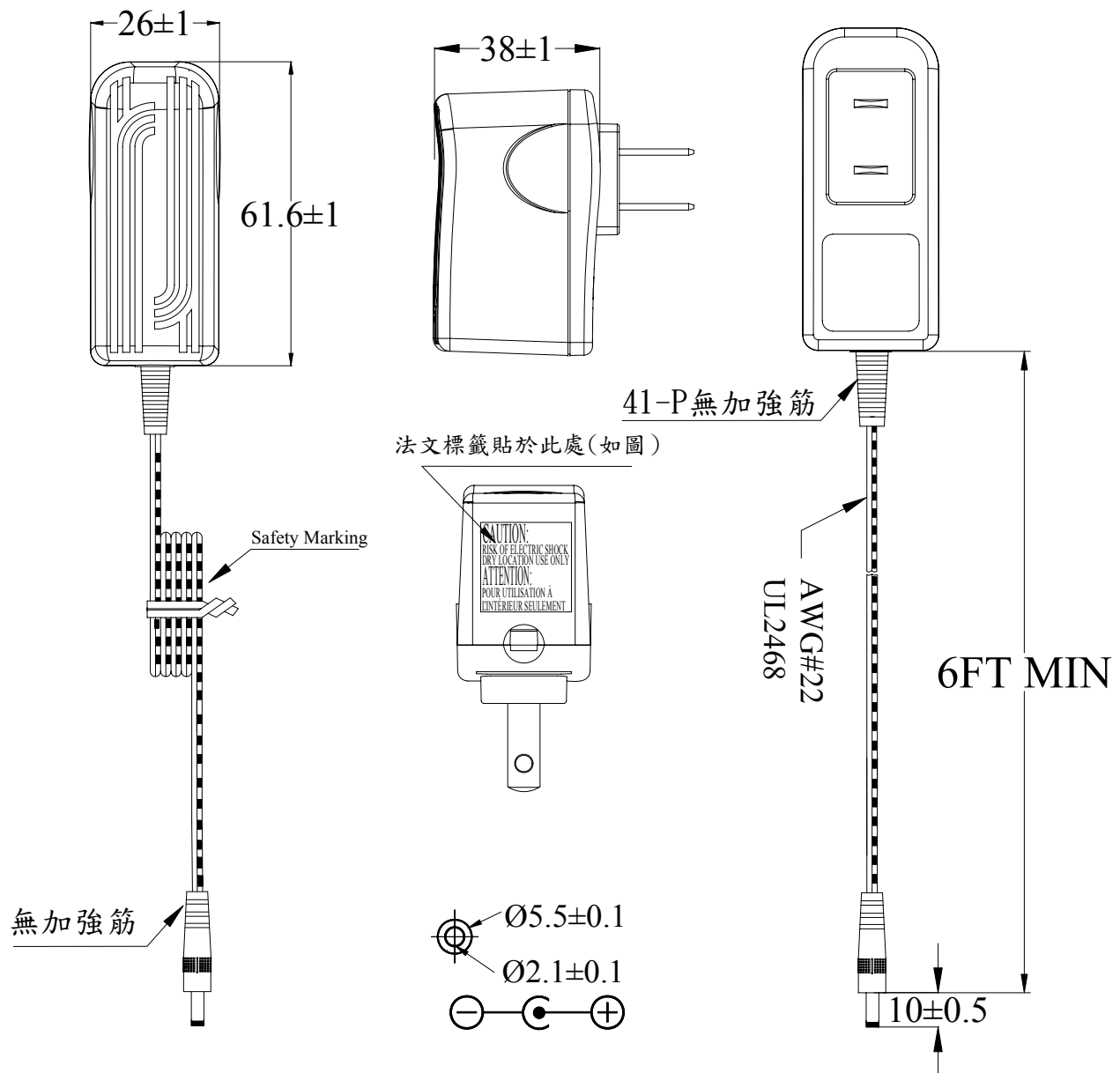
HON-KWANG ELECTRIC (SHEN ZHEN)CO.,LTD.

MODEL NO. :	HK-AP-050A100-US	PAGE NO. :	5 OF 9
PART NO. :	HKSC-170765	ISSUED DATE:	2017.12.22
DESCRIPTION :	I.T.E POWER SUPPLY	REV:	(A0)

16. OVERALL DRAWING

UNIT: mm

COLOR: BLACK





鳳冠電機(深圳)有限公司

HON-KWANG ELECTRIC (SHEN ZHEN)CO.,LTD.

MODEL NO. :	HK-AP-050A100-US	PAGE NO. :	6 OF 9
PART NO. :	HKSC-170765	ISSUED DATE:	2017.12.22
DESCRIPTION :	I.T.E POWER SUPPLY	REV:	(A0)

17. PACKING

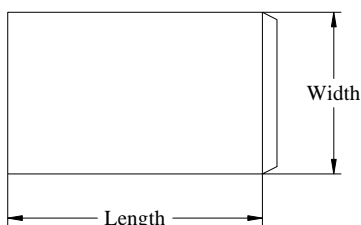
17.1 Inner Box

UNIT: mm

PE BAG

Length :

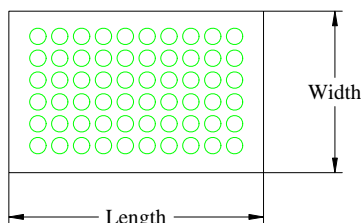
Width :



BUBBLE BAG

Length:

Width:

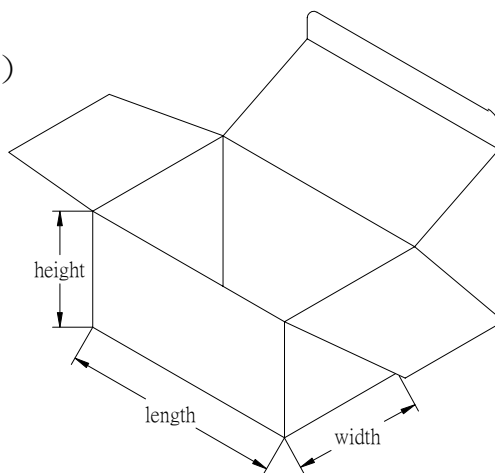


BOX(Normal BOX Corrugated BOX)

Length:85

Width:70

Height:42



NOTICE:

Its probably different from the white box of the sample and the figure dimension.
The white box is used to pack during product.

注意:樣品使用的小白盒尺寸可能與此圖面尺寸不同,此圖面尺寸是用于生產時的包裝.



鳳冠電機(深圳)有限公司

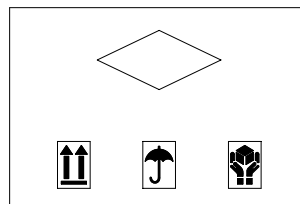
HON-KWANG ELECTRIC (SHEN ZHEN)CO.,LTD.

MODEL NO. :	HK-AP-050A100-US	PAGE NO. :	7 OF 9
PART NO. :	HKSC-170765	ISSUED DATE:	2017.12.22
DESCRIPTION :	I.T.E POWER SUPPLY	REV:	(A0)

17. PACKING

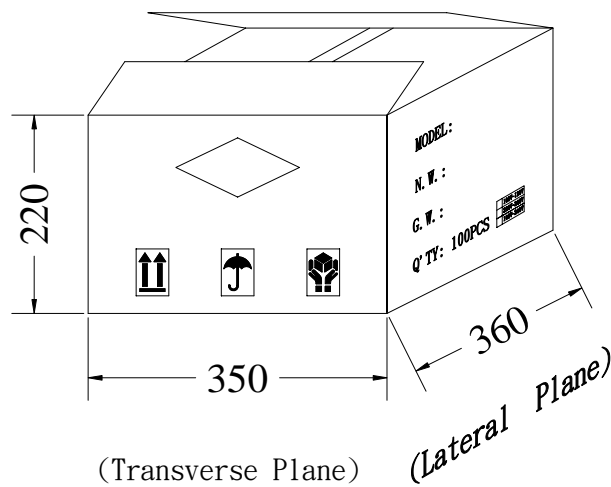
17.2 Carton

UNIT: mm



MODEL:
N. W. :
G. W. :
Q' TY: 100PCS

100V-120V
200V-240V
100V-240V





鳳冠電機(深圳)有限公司

HON-KWANG ELECTRIC (SHEN ZHEN)CO.,LTD.

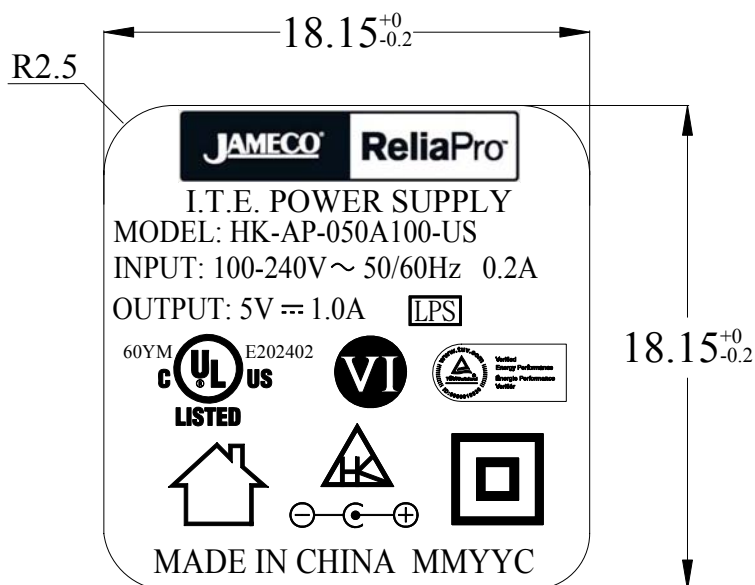
MODEL NO. :	HK-AP-050A100-US	PAGE NO. :	8 OF 9
PART NO. :	HKSC-170765	ISSUED DATE:	2017.12.22
DESCRIPTION :	I.T.E POWER SUPPLY	REV:	(A0)

18. MARKING

100# CPC 壓花底+上光 NAME-PLATE:WHITE CHARACTERS BLACK BACKGROUND.

UNIT: mm

M M Y Y C
 | | | | |
 month year
 made in China
 by Hon-kwang



法文標籤貼於CASE上

銅板紙表面上光 NAME-PLATE: BLACK CHARACTERS WHITE BACKGROUND.

