

# 深圳市谦泽豪科技有限公司

## SPECIFICATION 承认书

Sheet NO.: (承认书编号): SPC202112004

Model NO.: (产品型号): CZH008N120050USWV

Product color : (产品颜色): 黑色 (BLACK)

Relative sales(责任业务): \_\_\_\_\_

Approve Date(送承认日期): 2021-12-02

Version number(版本号): A0

Customer Material No.客户料号: \_\_\_\_\_

\*Thanks for give us this chance, Please sent back to our correlative sales if it Past your approval \*

感谢贵公司给予我公司送样承认的机会,如惠蒙通过承认,烦请将此《承认书》回传至我司相关的责任业务.

\*This file in two copies, one is for you confirmation, another one we save it. \*

该《承认书》一式2份,一份送贵司确认,一份我司存底,并将作为批量生产的依据.

Prepared 编制	Quality by 品保	Checked by 审核	Authorized by 批准	客 户 认 可 签 回	TESTED 检测	Authorized by 批准
余海燕	袁愈葵	黄仁春	徐湘江			

謙澤豪科技（香港）有限公司 **CHANZEHO TECHNOLOGY (HK)CO.,LIMITED**

地址：香港中環灣仔駱克道 **53-55** 號恒澤商業大廈 7/F

**Add:7/F, SPA CENTRE, NO.53-55 LOCKHART ROAD, WAN CHAI, HK**

**TEL:00852-27935511 FAX:00852-35902333**

深圳市谦泽豪科技有限公司 **Shenzhen CHANZEHO Technology Co.,Limited**

地址：广东省深圳市坪山区龙田街道龙田社区龙兴北路 **114-1** 号谦泽豪科技园

**Add:CHANZEHO Technology Park, 114-1 Longxing North Road, Longtian Community, Longtian Street, Pingshan District, Shenzhen, Guangdong.**

总机/Tel:+86-755-85203091/85203092 Fax:+86-755-85203093

版本变更记录表

版本号	变更日期	变更内容	变更原因	备注
A0	2021-12-02	/	/	原创

**产 品 承 认 书**

**Sample Approval sheet**

- 1, RANGE 适用范围**
- 2, INPUT REQUIREMENTS 输入要求**
- 3, OUTPUT REQUIREMENTS 输出要求**
- 4, PROTECTION REQUIREMENT 保护要求**
- 5, ENVIRONMENTAL CONDITIONS 环境条件**
- 6, INTERNATIONAL STANDARDS 国际标准**
- 7, RELIABILITY AND QUALITY CONTROL 可靠性和质量的控制**
- 8, MECHANICAL 结构特性**
- 9, SAFETY 安全**
- 10, CASE SPECIFICATION 外壳规格**
- 11, CABLE SPECIFICATION 线材规格**
- 12, LABEL SPECIFICATION 铭板规格**
- 13, PACKING SPECIFICATION 包装规格**
- 14, SAMPLE TEST REPORT 样品测试报告**

## 1.0 SCOPE 适用范围

This document details the electrical, mechanical and environmental specifications of a **100VAC~240VAC** input, **one** output, voltage **DC12V**, **6Watts** switching power supply, model number **CZH008N120050USWV**.

此承认书适用于**6W**开关电源适配器：**CZH008N120050USWV**输入为**100VAC~240VAC**，一组输出，输出直流电压为**12V**的电气，机械特性以及外部环境要求等各方面的规格。

## 2.0 INPUT REQUIREMENTS 输入要求

### 2.1 VOLTAGE 电压

The range of input voltage is from **100Vac** to **240Vac**.

输入电压的范围是**100Vac** 至 **240Vac**。

### 2.2 FREQUENCY 频率

The range of input frequency is from **50Hz** to **60Hz**.

输入频率的范围是**50Hz** 至 **60Hz**。

### 2.3 CURRENT 电流

The maximum input current is **0.2A**.最大输入电流是**0.2A**

### 2.4 INRUSH CURRENT 涌入电流

No damage shall be occurred and the input fuse shall not be blown up, at AC input voltage, for a cold start.

在正常输入电压范围内，产品冷机开机，产品不会破坏，产品输入保险丝不会烧断。

### 2.5 INPUT POWER 输入功率

Input Consumption Power Max **0.1W** at the no Load 输入空载功率最大**0.1W**

## 3.0 OUTPUT REQUIREMENTS 输出要求

### 3.1 Static load: 静态负载

Output# 输出组数	Voltage 电压	Minimum load 最小负载	Maximum load 最大负载	OCP
1	+12V	0A	500mA	≥600mA

Table 3.1.1 表格3.1.1

### 3.2 Output voltage: 输出电压

The output voltage shall be statically regulated for all combinations of load, line and environment including cross regulation as shown. 输出电压

Output# 输出组数	Load 负载	Range 范围	Tolerance 精度
1(空载)	0A	11.4V-12.6V	±5%
2(CC)	0.5A	11.4V-12.6V	±5%

Table 3.2.1 表格3.2.1

**3.3 Ripple and Noise 纹波和噪音**

Output#输出组数	CC 模式	Maximum peak to peak ripple Noise最大的峰值纹波
1	0.5A	240mV p-p

Measuring is done by 20MHz bandwidth oscilloscope and terminated each output with a 10uF capacitor and a 0.1uF capacitor, temperature at 25°C and normal input voltage

测试条件:任何负载正常工作下,使用示波器带宽为20MHz,连接到充电器的输出端,同时输出端并联一个0.1uF瓷片电容和一个10uF的电解电容,在25°C环境,正常输入电压下测试。

**3.4 Temperature coefficient 温漂:**

**±0.05%/°C** typical on all output.正常输入电压在额定负载工作温漂系数: **±0.05%/°C**.

**3.5 Turn on delay 开机延迟时间:**

During turn on and turn off, no voltage shall exceed its nominal voltage by more than 10% and no output will change its polarity with respect to its return line. All output shall reach their steady state values within **3 seconds** of turn on. 在正常输入电压下输出电压达到正常输出电压所需时间不超过**3秒**.

**3.6 Hold – up time 保持时间:**

10 milliseconds minimum from loss of nominal AC input at full load condition, 115VAC/50Hz input, out put will remain within regulation. 在额定负载下当输入电压关闭后输出电压保持在正常输出电压范围最小时间不低于**10毫秒**.

**3.7 Efficiency:效率**

The average active mode efficiency shall be higher than**78.88%** at 115V ac. 在115V的测试下平均效率大于**78.88%**.

Meet International Efficiency Level VI.能效等级 六级.

**3.8 Transient Response and Deviation 瞬态响应特性:**

The power supply will meet all specifications and maintain output voltage regulation within 5% of steady state with up to a current change of 50% of maximum current in load for the output #1 no output exceed the maximum rating set in table 3.2.1 在正常工作条件下当负载变动时输出电压变化在正常范围如表3.2.1

**4.0 PROTECTION REQUIREMENT:保护要求**

**4.1 Over – current protection:过流保护**

No damage to the power supply shall be sustained when operating any output under any line condition, into an over load condition for an indefinite period of time. The power supply shall be self – recovering when fault condition remove.

在任何条件下不定时内操作产品并将其进入过载的状态,此开关电源不会受任何损坏并且会自动恢复。

#### 4.2 Short circuit protection: 短路保护

No damage to the power supply shall be sustained when operating any output under any line condition, into a short circuit condition for an indefinite period of time. The power supply shall be self – recovering when fault condition remove.

本产品具有短路保护功能当输出端出现短路现象时不会造成危险,当短路现象解除后本产品恢复正常工作.

### 5.0 ENVIRONMENTAL CONDITIONS 环境条件

#### 5.1 Operating 工作状态

The power supply shall be capable of operating continuously in any mode without performance deterioration in the following environmental conditions. 此电源在以下任何条件下都将可以持续正常工作

**5.1.1 Ambient Temperature (环境温度) : 0°C ~ 40°C**

**5.1.2 Relative Humidity (湿度) : 10% ~ 80%rh**

**5.1.3 Altitude (高度) : Sea level to 6,000 feet.海拔为 6,000 英尺**

**5.1.4 Vibration (振动) : 1.0mm, 10 – 25Hz, 15 minutes per cycle for each axis (X, Y, Z)**

频率为 10-25Hz, 振幅为 1.0mm, 每个方向 (X, Y, Z) 扫频循环次数为 15 次。

#### 5.2 Non - operating: 非工作状态

The power supply shall be capable of standing the following environmental conditions extended periods of time, without sustaining electrical or mechanical damage and subsequent operational deficiencies: 此电源能够在下列环境条件范围内不会导电及受到任何损坏。

**5.2.1 Ambient Temperature(周围环境温度): -20°C ~ 65°C**

**5.2.2 Relative Humidity(湿度): 10% ~ 80%**

**5.2.3 Sea level to 10,000 feet 海拔标准**

**5.2.4 Vibration and Shock 震动:**

The power supply shall be designed to with stand normal transportation vibration per MIL–STD-810D, method 514 and procedures X, as it is mounted in the chassis assembly and packed for shipping. 此开关电源设计符合MIL–STD-810D的产品运输振动标准要求。

### 6.0 INTERNATIONAL STANDARDS 国际标准

#### 6.1 EMI standards EMI 标准

The power supply meets the radiated and conducted emission requirements for **FCC Part 15 Subpart B, 2016**. 此开关电源符合传导辐射 **FCC Part 15 Subpart B, 2016** 的标准.

7.0 RELIABILITY AND QUALITY CONTROL 可靠性和质量的控制

7.1 MTBF 平均故障间隔时间

When the supply is operation within any of the limits of this specification the MTBF shall be at least **35,000** hours at 25°C (MIL-HDBK-217F). 当开关电源在环境温度 **25°C** 在规格限值内工作其平均故障间隔时间（参考MIL-HDBK-217F）：**35,000** 小时。

7.2 Burn-In 老化测试

The power supply will be performed a minimum for **4** hours Burn-In at 40°C ±5 °C under full load.此开关电源在40°C ±5°C满载的情况下可以最小老化4小时。

7.3 Component dating

Semiconductor junction temperatures shall not exceed the manufactures maximum thermal rating. 产品的半导体元器件结温度不超过其规格限值。

7.4 Drop Test 跌落测试:

Product shall be dropped from a height of 1m, onto 1cm thickness dry wood surface 6 times from 6 different surface. 产品从 6 个不同的表面进行测试，在 1米的高度上跌落在 1 厘米厚干实木板表面 6 次

8.0 MECHANICAL 结构特性

8.1 Introduction 介绍

The power supply will provide input connectors as in table 8.1

此开关电源的输入连接器将同表格8.1

PIN#	Input Voltage输入电压
1	L
2	N

Table 8.1 Top view of AC input Pin assignment 交流输入PIN的正面接线图

The power supply will provide output connectors as in table 8.2

此开关电源的输出连接器将同表格8.2

PIN#	Output Voltage输出电压
内正	+12V
外负	-GND

8.2 Physical Dimensions:尺寸

The dimensions of the power supply please see attached page. 此开关电源的尺寸请参照附页.

8.3 Label:铭板

The label of the power supply, please see attached page.此开关电源的铭板请见附页

8.4 Weight:重量

The weigh of the power supply is about **61.9 g**.此开关电源的重量约为 **61.9 g**.

8.5 Connector 接头

AC INPUT 交流输入	<b>2 PIN UL Plug</b>
DC OUTPUT 直流输出	2468/24AWG/1.83M 黑色 5.5*2.1 外露:11MM 直头音叉沟槽

9.0 SAFETY 安全

9.1 Safety 安全

The power supply must be certified under following international standards:

此开关电源必须由以下国际标准所承认.

	<b>Certified</b>	<b>Standard标准</b>
ETL/CETL	MEET	UL1310

9.2 Insulation resistance 绝缘阻抗

9.2.1 Input to output: 50M OHM at 500 VDC.

输入至输出: **500 VDC** 绝缘阻抗 **50M OHM** 最小。

9.3 Dielectric Strength (Hi-Pot) 耐压强度

9.3.1 Primary input AC short to Secondary output DC short: **AC3000V,10mA**, for

**60 sec.** AC 初级输入至次级 DC 输出: **AC3000V, 10mA, 60 秒**.

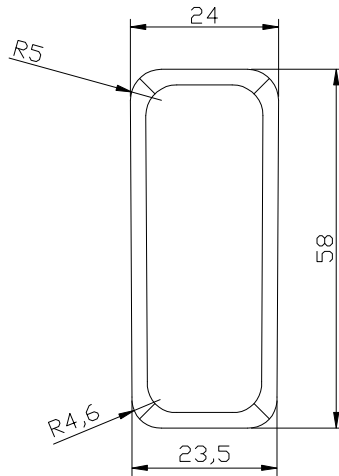
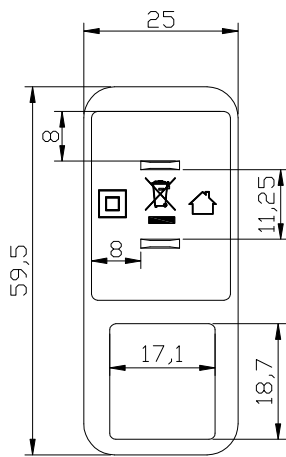
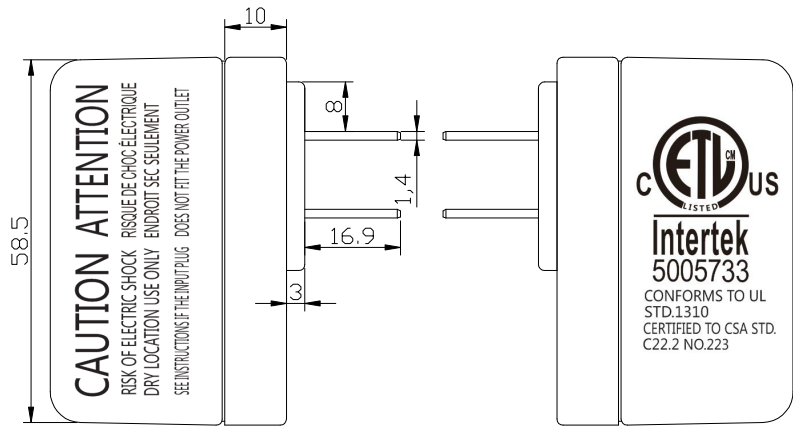
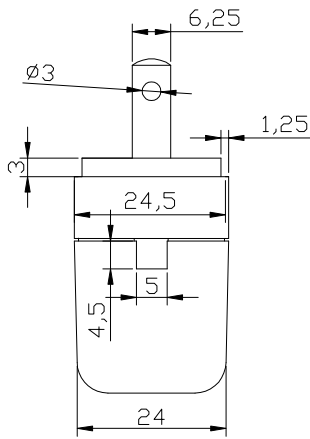


10,Case Specification 外壳规格

NOTE:1. Case color 外壳颜色 : BLACK 黑色.

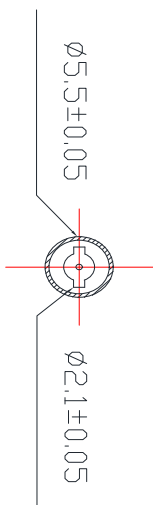
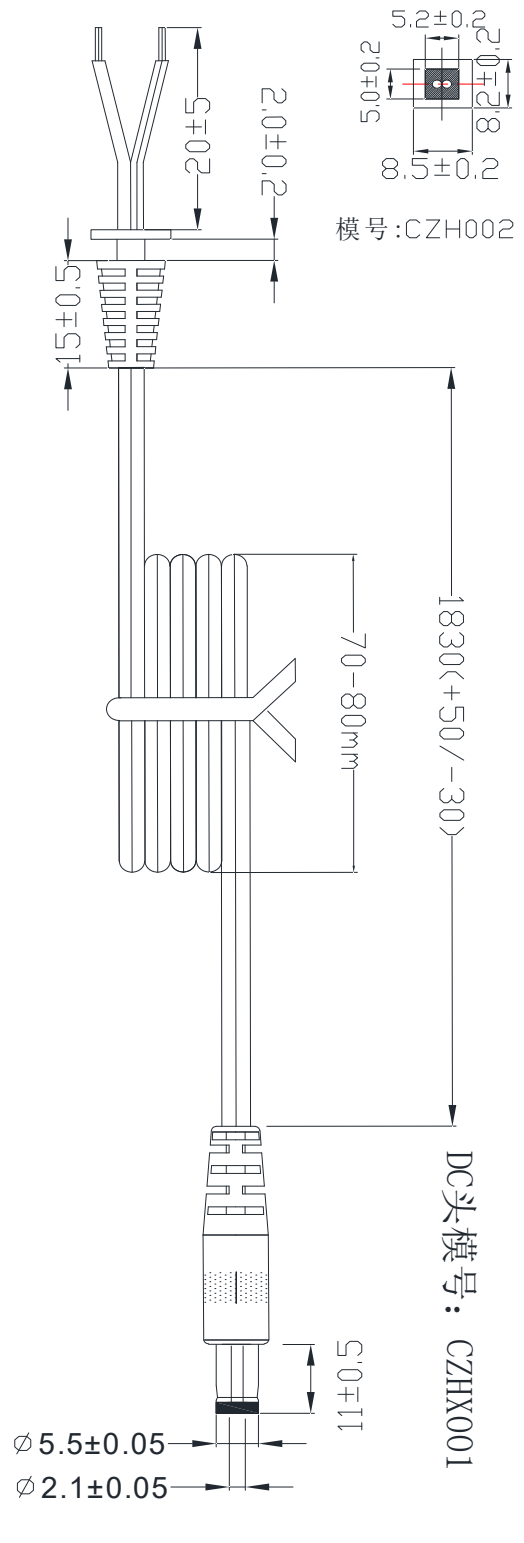
(外壳材质: 全 PC 原料, 防火等级 V-0)

2.Unit 单位:mm



11,Cable Specification:线材规格

1. CORD MATERIAL: 2468 24AWG\*2. 扁线
2. DC PLUG TYPE: DC 5.5\*2.1\*1MM 直头音叉沟槽.
3. OUT JACKET: PVC. COLOR: (BLACK) 黑色.
4. TEMPERATURE: 80°C.
5. ROHS CABLE (线材为环保材质)
6. unit: mm
7. WIRE RUBBER HAERNESS: 60P (FOR SR), 40P (FOR DC)



12,Label Specification:铭板规格 Unit: mm



WW:表示周期, YY: 表示年份

大货为镭

13. Packing Specification 包装规格

Unit: mm

中性纸箱!!!

