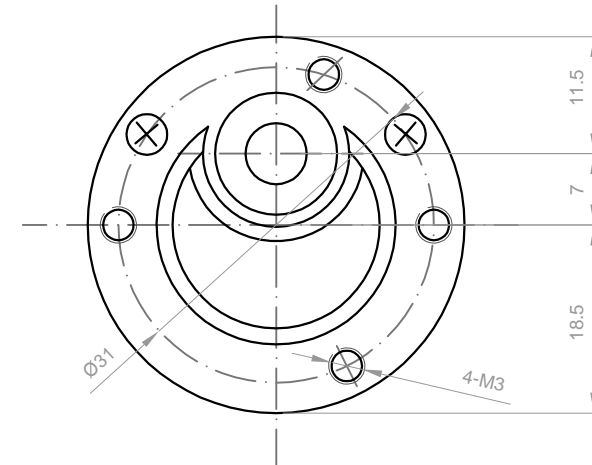
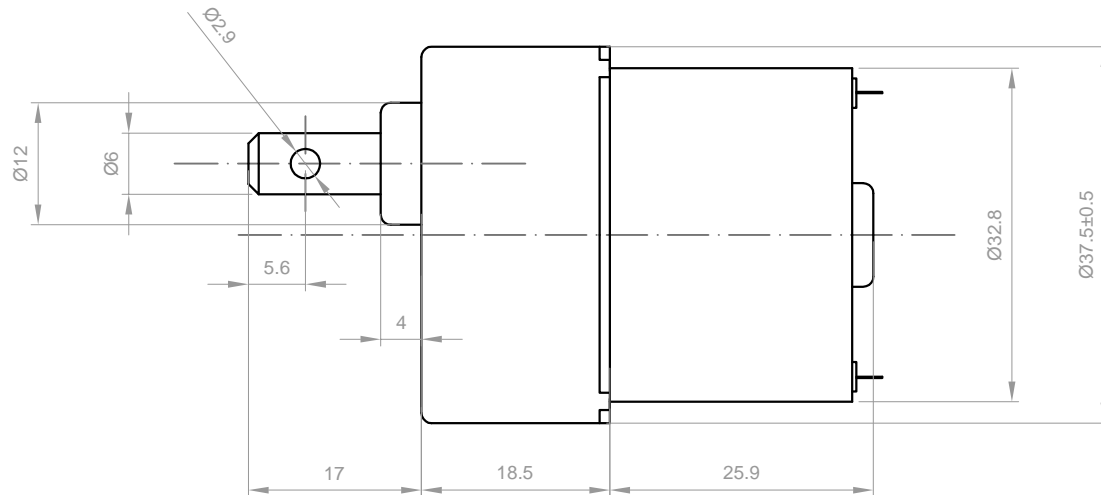


NO.	ITEM	SPECIFICATION
1	Rated Voltage	12V
2	No Load Current	80mA Max
3	No Load speed	720±10%RPM
4	Gear Ratio	1:10
5	Rated Speed	576±10%RPM
6	Rated Current	220mA Max
7	Rated Torque	0.14Kg.cm
8	Power	2W
9	Blocking Load Torque	0.5Kg.cm

Rev.	Revision	Date
01	Update	5/30/2014



Drawn	Joseph	5/30/2014	UNIT: mm		
Checked	Lawrence	5/30/2014			
Eng Appr.			Sinotech		
Mfg Appr.					
Q.A.			Size A4	P/N 253446	REV 01
B38-12V576RPM			Scale: 1:1	Weight(kg):	Sheet 1of 1