

1	Rev.	Revision	Date
01	Update		4/8/2011

2	Rev.	Revision	Date
01	Update		4/8/2011

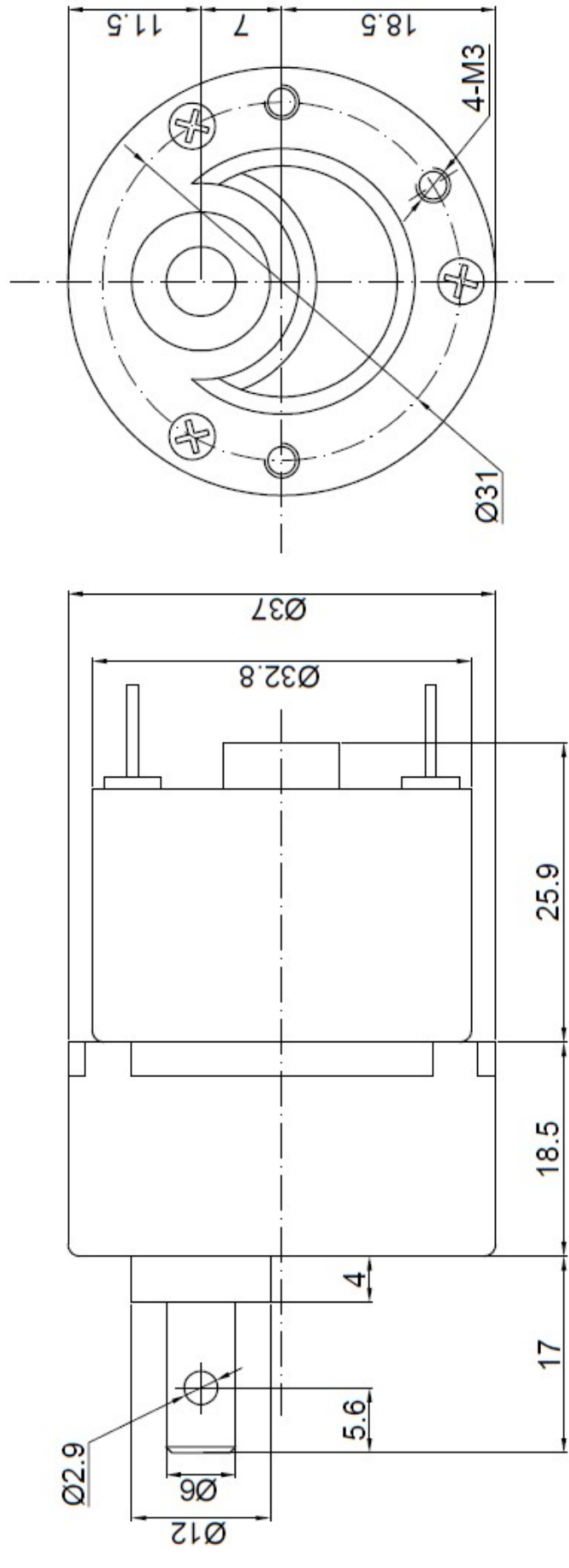
3	Rev.	Revision	Date
01	Update		4/8/2011

4	Rev.	Revision	Date
01	Update		4/8/2011

5	Rev.	Revision	Date
01	Update		4/8/2011

6	Rev.	Revision	Date
01	Update		4/8/2011

NO.	ITEM	SPECIFICATION
1	Rated Voltage	12V
2	No Load Current	0.12A Max
3	No Load Speed	144 RPM
4	Gear Ratio	50:1
5	Rated Speed	120 RPM
6	Rated Current	0.35A Max
7	Rated Torque	1.5 Kg.cm



DRAWN	Kevin	4/8/2011	UNIT: mm	
CHECKED	Sara	4/8/2011		
ENG APPR.				
MFG APPR.			Sinotech	
Q.A.				
B38-12V120RPM			SIZE	P/N
			A4	253471
			SCALE: 4:1	Weight(kg):
				REV
				01
				SHEET 1 OF 1

1	Rev.	Revision	Date
01	Update		4/8/2011