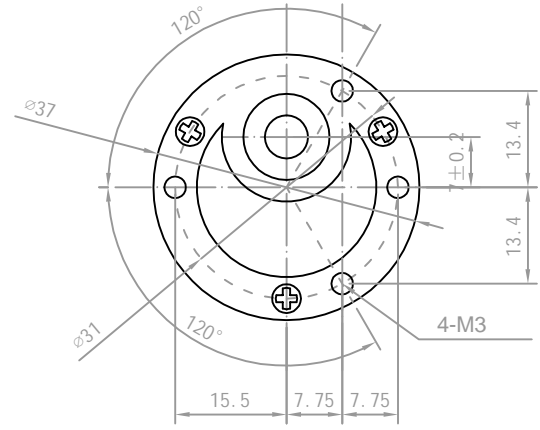
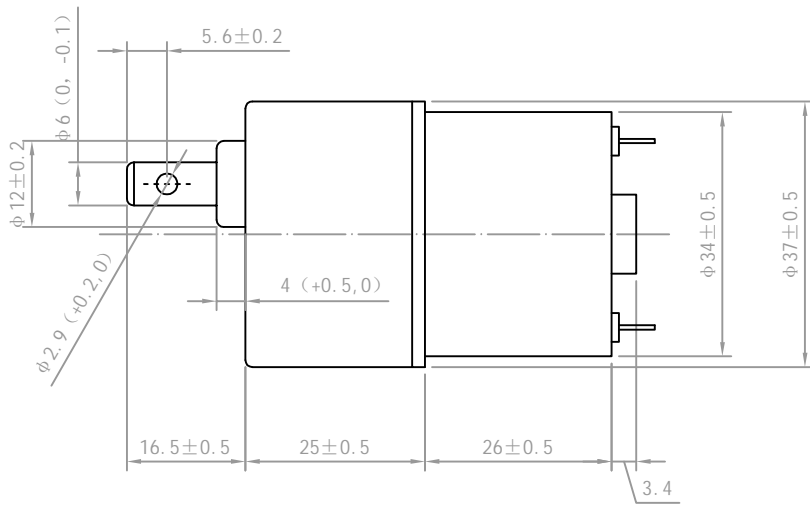


Rev.	Description	Date
01		



No.	Item	Specification	No.	Item	Specification
1	Rated Voltage	12V DC	7	Gear Ratio	1:250
2	No Load Speed	29±10%rpm			
3	No Load Current	120mA Max			
4	Rated Speed	24±10%rpm			
5	Rated Current	290mA Max			
6	Rated Torque	5.8kg.cm			

Drawn	Bruce	01/31/2019	Unit: mm		
Checked			Sinotech		
Eng Appr.					
Mfg Appr.					
Q.A.					
MFG B38-12V29RPM			Size :A4	Weight(g):	
			Scale 1:1		