

插入型絕緣/金屬軸式編碼規則

**RV 09 A X F - 40 E1 - 20 F X - B 5K - X X XXX**  
**1 2 3 4 5 6 7 8 9 10 11 12 13 14 15**

**1. Product Line**  
RV Rotary Potentiometer

**2. Model**

**3. Structure Difference**

**4. Derivatives**

**5. RoHS Version**  
F indicates RoHS Compliance

**6. Type of Terminal**

| Code | Type of Terminal          |
|------|---------------------------|
| 10   | Solder lug                |
| 20   | PC board (horizontal)     |
| 30   | PC board (vertical);front |
| 40   | PC board (vertical);back  |

**7. Type of Bushing**

**8. Shaft Length**

**9. Type of Shaft**

**10. Axis Angle of F-type Shaft**

**11. Pattern of Resistance Curve**

**12. Resistance Value**

**13. Materials & Methods for  
Manufacturing Shaft & Bushing**

**14. Number of Click**

| Code | Specification      |
|------|--------------------|
| 0    | None               |
| C    | Center Click       |
| D    | 11 Positions click |
| E    | 21 Positions click |
| F    | 41 Positions click |

**15. Serial No.**

**訂單指定事項：**

開立訂單時，用途請依下表記載予以指定製品之規格詳細記載並確認之。

**項目：**

1. 型號。
2. 公稱阻值及線性要求。
3. 軸型及長度。
4. 端子型式。
5. 段點的有無。
6. 中間抽頭的有無。
7. 音量用或其他。
8. 手焊錫或錫爐焊錫。

**ORDERING INSTRUCTIONS**


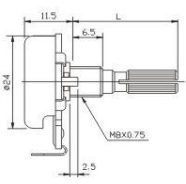
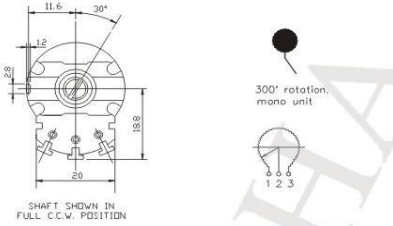

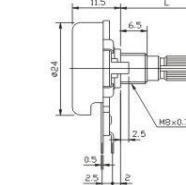
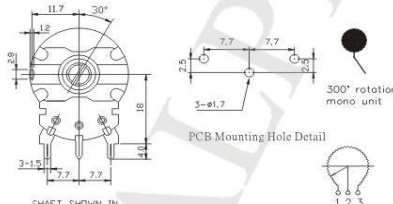

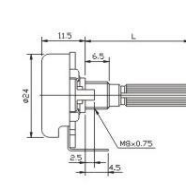
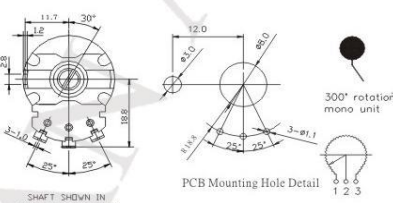

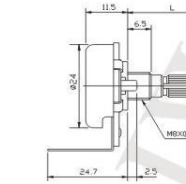
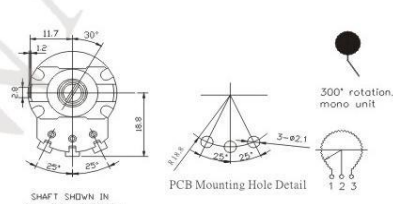

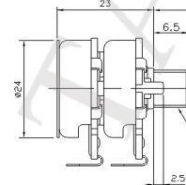
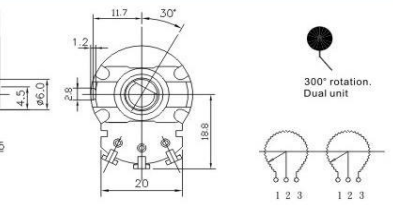
WHEN PLACING YOUR ORDER, PLEASE SPECIFY THE FOLLOWING ITEMS ACCORDING TO YOUR APPLICATION NEEDS. FOR MORE INFORMATION ABOUT OUR PRODUCTS, PLEASE REFER TO THE SPECIFICATION GIVEN ON THE FOLLOWING PAGES.

**ITEMS：**


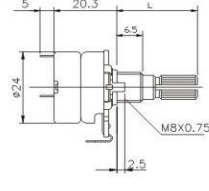
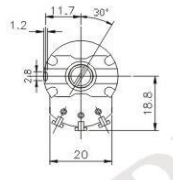
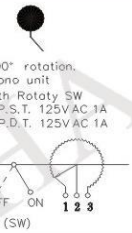

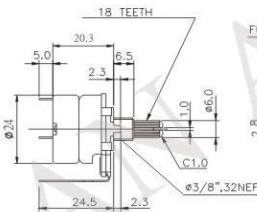

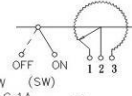
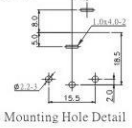
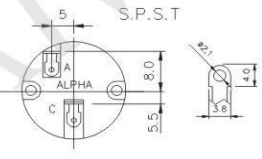
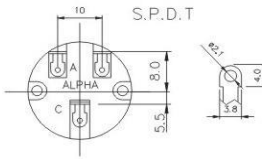
1. MODEL.
2. NORMAL RESISTANCE VALUE AND TAPER.
3. SHAFT STYLE AND LENGTH.
4. TERMINAL STYLE.
5. WITH CLICK OR WITHOUT CLICK, CLICK POSITION
6. WITH TAP OR WITHOUT TAP, TAP POSITION.
7. FOR VOLUME CONTROL OR OTHER USE.
8. MANUAL SOLDERING OR DIP SOLDERING.

## 24mm METAL SHAFT SERIES



| Model  | Outline Drawing   | Features / Individual Specification   |
|--|---|---|
| <p><b>RV24AF-10</b></p>               |    |  <p>SHAFT SHOWN IN FULL C.C.W. POSITION</p>   |
| <p><b>RV24AF-22</b></p>              |   |  <p>SHAFT SHOWN IN FULL C.C.W. POSITION</p>  |
| <p><b>RV24AF-30</b></p>             |  |  <p>SHAFT SHOWN IN FULL C.C.W. POSITION</p> |
| <p><b>RV24AF-40</b></p>             |  |  <p>SHAFT SHOWN IN FULL C.C.W. POSITION</p> |
| <p><b>RV24BF-10</b></p> <p>NEW</p>  |  |  <p>SHAFT SHOWN IN FULL C.C.W. POSITION</p> |

POTENTIOMETERS

| Model  | Outline Drawing   | Features / Individual Specification  |                            |
|--|---|--|----------------------------|
| <b>RV24A01F-10(S.P.S.T.)</b><br><b>RV24A02F-10(S.P.D.T.)</b>  |   <p>SHAFT SHOWN IN FULL C.C.W POSITION</p>          |  <p>300° rotation, mono unit with Rotary SW<br/> S.P.S.T. 125V AC 1A<br/> S.P.D.T. 125V AC 1A</p>   |                            |
| <b>RV24A03F-40D2</b><br><b>(Plastic Shaft &amp; Bushing)</b>  |   <p>FULL C.C.W POSITION</p> |  <p>300° rotation, mono unit with Rotary SW (SW)<br/> S.P.S.T. 125V AC 1A</p>  <p>PCB Mounting Hole Detail</p> |                            |
| <b>TERMINAL LAYOUT</b><br><b>RV24A01F, RV24A02F, RV24A03F</b>  |    |  |                            |
| <b>SPECIFICATION (RV24A01F, RV24A02F, RV24A03F)</b>  |   |  |                            |
| <b>MECHANICAL</b>  |   | <b>ELECTRICAL</b>  |                            |
| TOTAL ROTATION ANGLE   | 300°±5°   | linear taper (B) other tapers  |                            |
| ROTATION TORQUE  | 20~200 gf.cm  | RATED WATTAGE  | 0.5W 0.25W                 |
| SHAFT STOP STRENGTH  | 6kgf.cm/Min.  | RATED VOLTAGE  | 500V 250V                  |
| SWITCH WORKING ANGLE   | 50°±10°   | INSULATION RESISTANCE  | more than 100MΩ at 500V DC |
| SWITCH WORKING TORQUE  | 800gf.cm Max/   | DIELECTRIC STRENGTH  | 500V AC, 1 minute          |
| SWITCH CIRCUIT   | S.P.S.T., S.P.D.T.  | SWITCH CONTACT RESISTANCE  | less than 30mΩ             |
|  |   | SWITCH RATING  | 125V AC, 1A                |