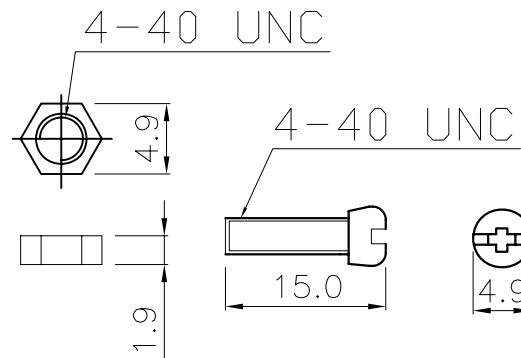
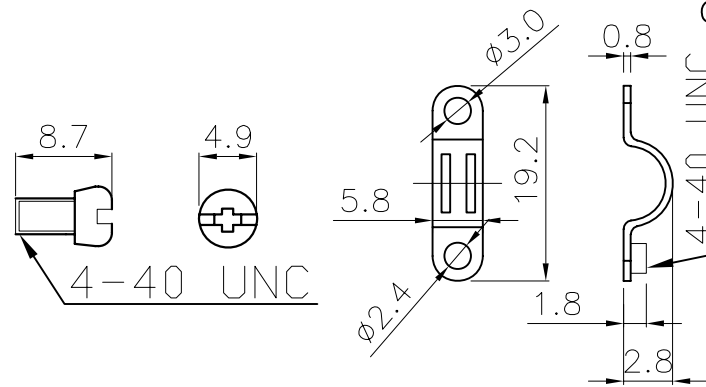
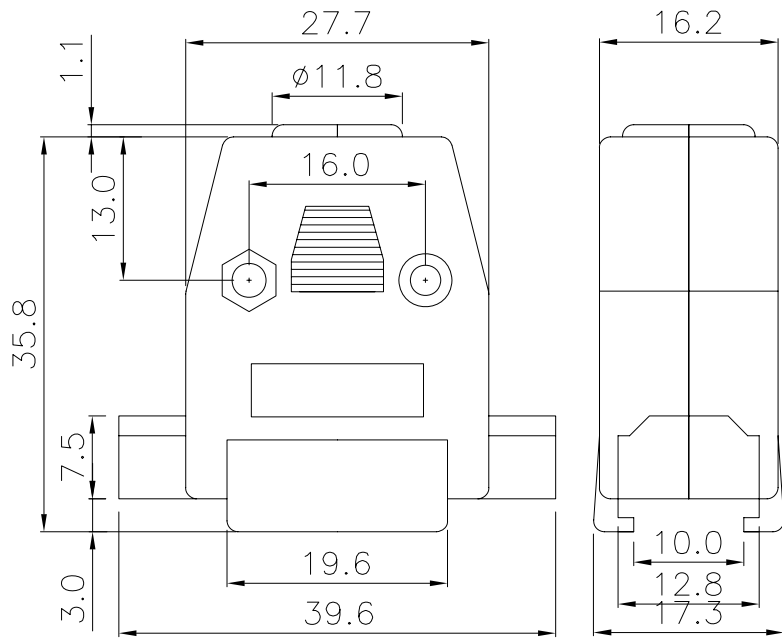


MATERIAL:  
 INSULATOR : ABS UL94HB  
 SCREW: STEEL  
 FINISHED : CHROMATE PLATED  
 R=ROHS  
 TYPE OPTION:  
 101=STANDARD TYPE SHORT SCREW  
 INSULATOR COLOR  
 B=BLACK  
 G=GREY  
 P=BEIGE  
 C=METALIZED



MATERIAL		<b>GOLDSUN ELECTRONICS CO., LTD.</b>	
		JAMECO NO. <b>25567</b>	GOLDSUN NO. <b>25567</b>
DRAWN:		Description <b>D-SUB CONNECTOR HOODS</b> Rev. <b>1</b>	
VERIFY PEOPLE:		<b>15P METAL COATED PLASTIC</b>	
UNIT: <b>mm</b>	SCALE: <b>1:1</b>	SHEET 1 OF 1	CAS No: ERN No: