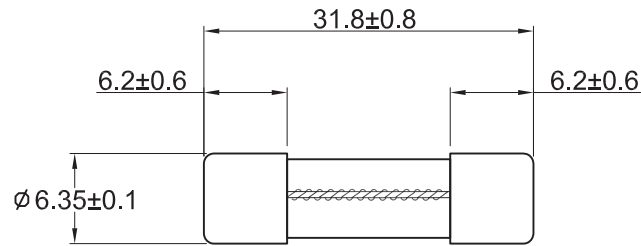
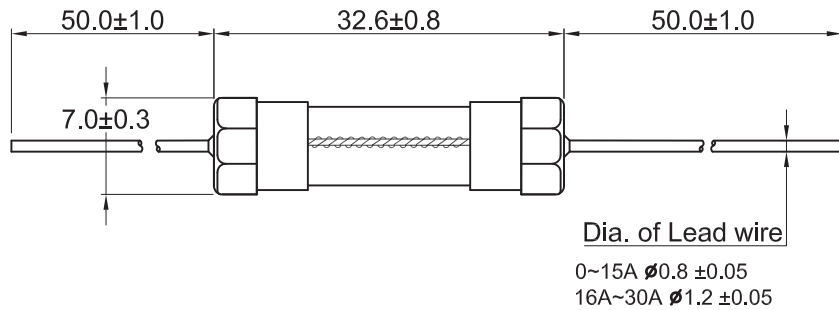


Dimensions in mm

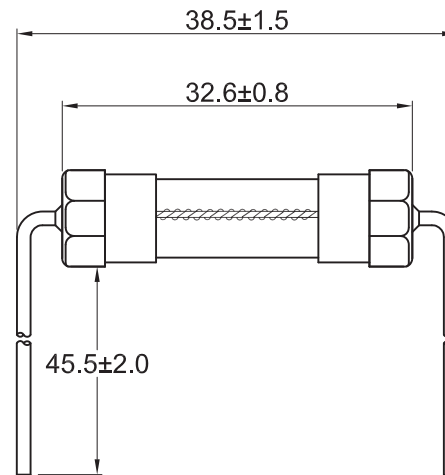
MMG63



MMG63-PA



MMG63-PR



Test Specification according to standard
 UL 248-1,14

Electrical Characteristic

Rated Current	1.0In		1.35In		2.0In	
	In	Min.	Max.	Min.	Max.	Max.
100mA-30A	4 h		3600 s	3 s		120 s

Rated Current	Breaking capacity	Rated Voltage	MMG63-PR/PA		
			ULcs LISTED	CSA EET JET	
100mA	@125V/AC 10KA @250V/AC 35A	125V/250V			
125mA		125V/250V			
160mA		125V/250V			
200mA		125V/250V			
250mA		125V/250V			
300mA		125V/250V			
315mA		125V/250V			
400mA		125V/250V			
500mA		125V/250V			
600mA		125V/250V			
630mA		125V/250V			
700mA		125V/250V			
800mA		125V/250V			
1A		125V/250V		○	○
1.25A		@125V/AC 10KA @250V/AC 100A	125V/250V		
1.5A	125V/250V				
1.6A	125V/250V				
2A	125V/250V				
2.5A	125V/250V				
3A	125V/250V				
3.15A	125V/250V				
3.5A	@125V/AC 10KA @250V/AC 200A	125V/250V			
4A		125V/250V			
5A		125V/250V			
6A		125V/250V			
6.3A		125V/250V			
7A		125V/250V			
8A		125V/250V			
10A		125V/250V			
12A		@32V/AC 1000A	32V		
13A			32V		
15A	32V				
16A	32V				
20A	32V				
25A	32V				
30A	32V				

GOLDSUN ELECTRONICS CO., LTD.

JAMECO NO. 25639	GOLDSUN NO. MMG63A1.000N
Description SLOW BLOW FUSE 250V 1AMP SIZE 0.25"x1.25"	
UNIT: mm	SCALE: SHEET 1 OF 1
CAS No: ERN No:	Rev. 1