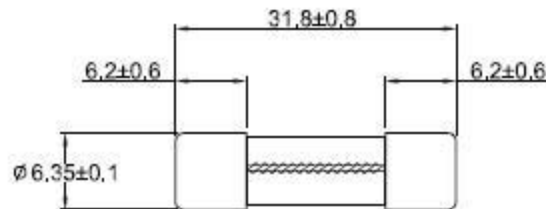
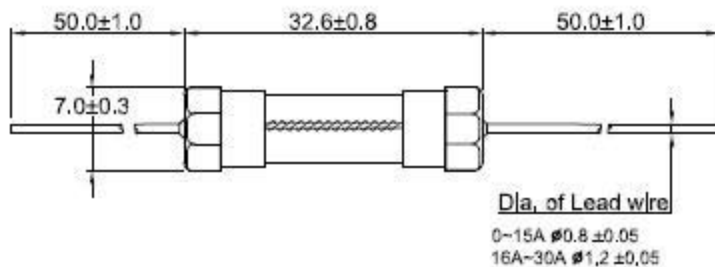


Dimensions in mm

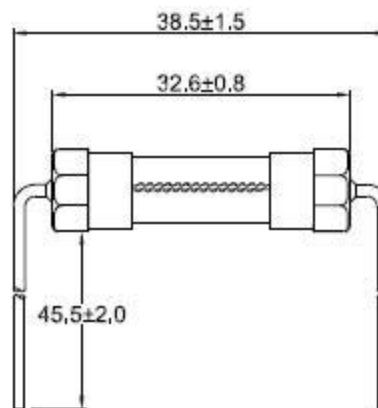
MMG63



MMG63-PA



MMG63-PR



Rated Current	Breaking capacity	Rated Voltage	MMG63-PR/PA		
			UL	IEC	
100mA	@125V/AC 10KA @250V/AC 35A	125V/250V			
125mA		125V/250V			
160mA		125V/250V			
200mA		125V/250V			
250mA		125V/250V			
300mA		125V/250V			
315mA		125V/250V			
400mA		125V/250V			
500mA		125V/250V			
600mA		125V/250V			
630mA		125V/250V			
700mA		125V/250V			
800mA		125V/250V			
1A		125V/250V		○	○
1.25A		125V/250V			
1.5A		125V/250V			
1.6A	125V/250V				
2A	@125V/AC 10KA	125V/250V			
2.5A	@250V/AC 10KA	125V/250V			
3A	125V/250V				
3.15A	125V/250V				
3.5A	125V/250V				
4A	125V/250V				
5A	125V/250V				
6A	@125V/AC 10KA	125V/250V			
6.3A	@250V/AC 200A	125V/250V			
7A	125V/250V				
8A	125V/250V				
10A	125V/250V				
12A	@32V/AC 1000A	32V			
13A		32V			
15A		32V			
16A		32V			
20A		32V			
25A		32V			
30A		32V			

Test Specification according to standard
 UL 248-1,14

Electrical Characteristic

Rated Current	1.0In	1.35In	2.0In	
	Min.	Max.	Min.	Max.
100mA-30A	4 h	3600 s	3 s	120 s

UNLESS OTHERWISE SPECIFIED DIMENSIONS ARE IN MM TOLERANCE DECIMALS ANGULAR X ± 0.5 ± 2° XX ± 0.25 DO NOT SCALE DRAWING		CUSTOMER NO.	TITLE Miniature Cartridge Fuse 6.35x32mm Slow Blow Type		
		DRAWN BY JANE			
CHECKED BY					
APPROVED BY 鄭文和					
P/N	MMG63ax,XXX	DATE	2010,08,18	PART NO.	MMG63 MMG63- PA /PR
REV	A	SCALE		DRAWING NO.	AA10081801