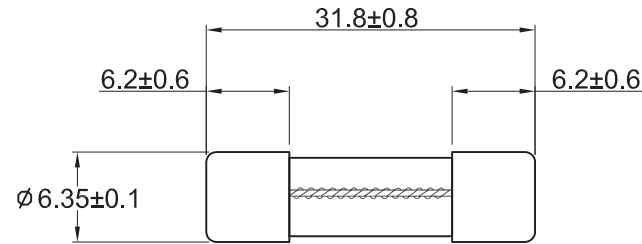
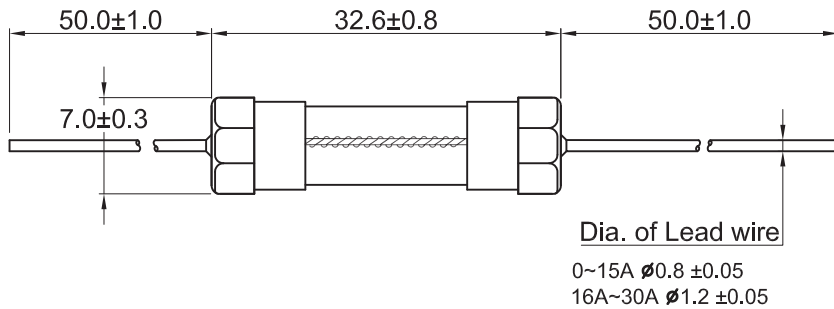


Dimensions in mm

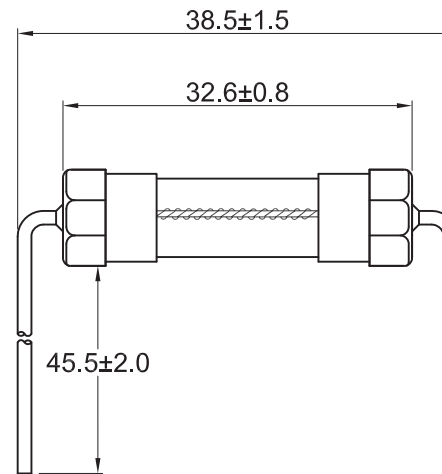
MSG63



MSG63-PA



MSG63-PR



Test Specification according to standard
 UL 248-1,14

Electrical Characteristic

Rated Current	1.0In		2.0In	
	Min.	Max.	Min.	Max.
62.5mA - 3A	4 h	3600 s	5 s	120 s
3.5A - 30A	4 h	3600 s	12 s	120 s

Rated Current	Breaking capacity	Rated Voltage	MSG63-PR/PA	
			UL1050	JET
62.5mA	@125V/AC 10KA @250V/AC 35A	125V/250V	○	○
100mA		125V/250V	○	○
125mA		125V/250V	○	○
187.5mA		125V/250V	○	○
200mA		125V/250V	○	○
250mA		125V/250V	○	○
300mA		125V/250V	○	○
375mA		125V/250V	○	○
500mA		125V/250V	○	○
750mA		125V/250V	○	○
1A	@125V/AC 10KA @250V/AC 100A	125V/250V	○	○
1.25A		125V/250V	○	○
1.5A		125V/250V	○	○
2A		125V/250V	○	○
2.25A		125V/250V	○	○
2.5A		125V/250V	○	○
3A		125V/250V	○	○
4A		125V/250V	○	○
5A		125V/250V	○	○
6A		125V/250V	○	○
7A	125V/250V	○	○	
8A	125V/250V	○	○	
9A	125V/250V	○	○	
10A	125V/250V	○	○	
* 12A	@32V/AC,DC 1000A	32V	○	○
* 15A		32V	○	○
* 17.5A		32V	○	○
* 20A		32V	○	○

* PS:12A~20A 32V approvals

GOLDSUN ELECTRONICS CO., LTD.

JAMECO NO. 25655	GOLDSUN NO. MSG63a0.250N
Description SLOW BLOW FUSE 250V 250mA SIZE 0.25"x1.25"	
UNIT: mm	SCALE: SHEET 1 OF 1
CAS No: ERN No:	Rev. 1