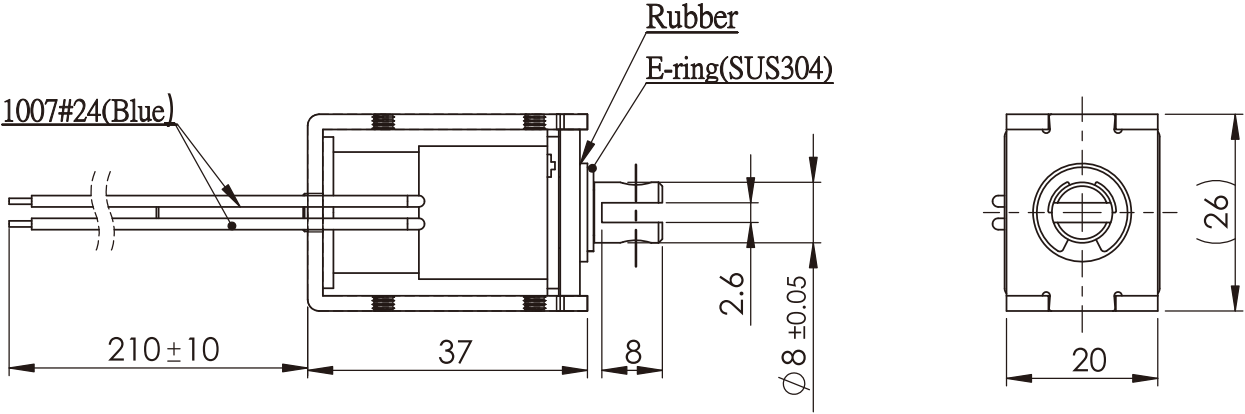
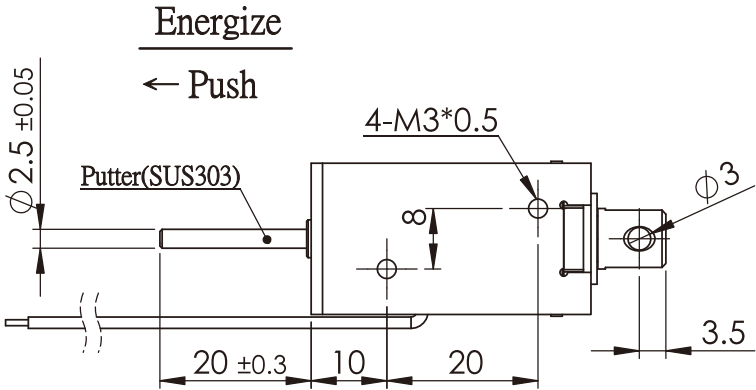
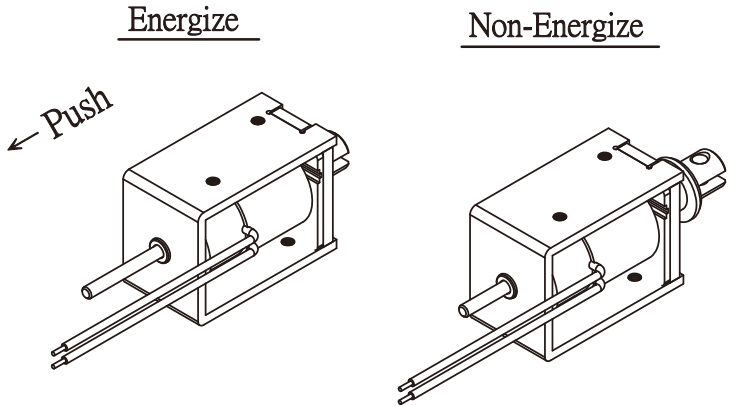


Date	Rev.	Description

Item	SH-0837S
Voltage	DC 12V
Watts	3.8W
Current	0.32A
Resistance	37.9Ω ±10%



單位:mm



DCC. NO.
A4 DRAWING NO.

MATERIAL		<b>GOLDSUN ELECTRONICS CO., LTD.</b>	
DRAWN: Nomo		JAMECO NO. 262272	GOLDSUN NO.
VERIFY PEOPLE: Chesley		Description	
UNIT: mm		SCALE:	Rev. 1
SHEET 1 OF 1		CAS No:	ERN No: