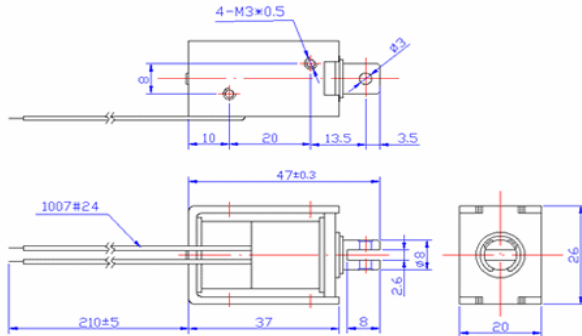
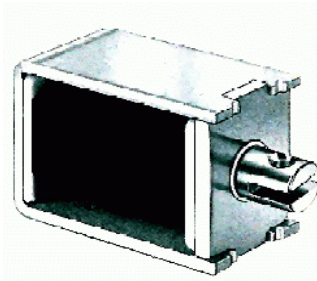


Date	Rev.	Description

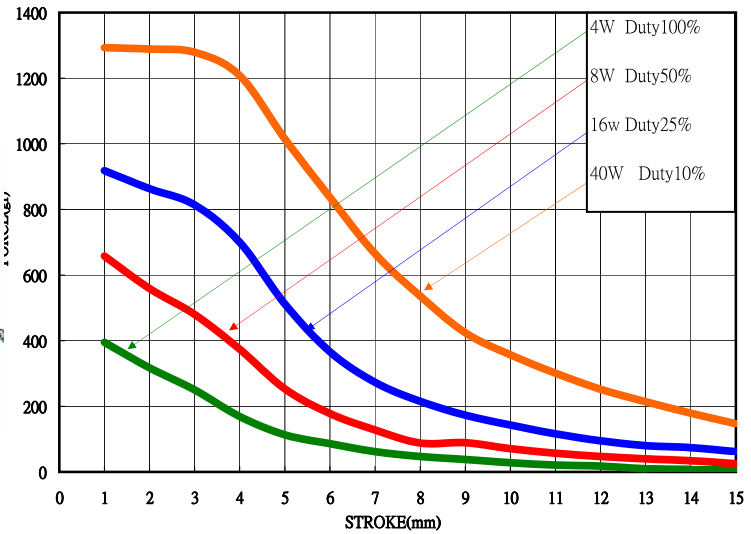
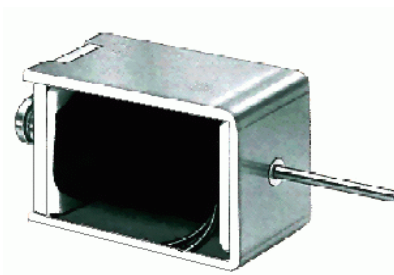
SH-0837 Open Frame Solenoids

SH-0837L 拉式 PULL TYPE



總重量 Total Weight : 96 g

SH-0837S 推式 PUSH TYPE



總重量 Total Weight : 96 g

線圈資料 COIL DATA

動作週期 Duty cycle(%)= $\frac{\text{通電時間"ON"time}}{\text{通電時間"ON"time}+\text{斷電時間"OFF"time}} \times 100\%$		Continuous (100%)連續	Intermittent (50%)間歇	Intermittent (25%)間歇	Intermittent (10%)間歇
20°C時的功率 Watts at 20°C		4	8	16	40
最大通電時間(秒) MAX. "ON" time in seconds		∞	100	36	7
型號 Type no.	20°C時電阻值Resistance(20°C)±10%	直流電壓 DC Volts			
SH-0837L-06V	9	6	8.5	12	19
SH-0837L-12V	36	12	17	24	38
SH-0837L-24V	144	24	34	48	76
SH-0837L-48V	576	48	68	96	152
SH-0837S-06V	9	6	8.5	12	19
SH-0837S-12V	36	12	17	24	38
SH-0837S-24V	144	24	34	48	76
SH-0837S-48V	576	48	68	96	152

MATERIAL
DRAWN: Colin Hung
VERIFY PEOPLE:

GOLDSUN ELECTRONICS CO., LTD.			
JAMECO NO. 262272		GOLDSUN NO. SH-0837	
Description SOLENOID OOPEN FRAME 12VDC 6MM PUSH TYPE			Rev. 1
UNIT: mm	SCALE:	SHEET 1 OF 1	CAS No: ERN No:

DCC. NO.
A4 DRAWING NO.