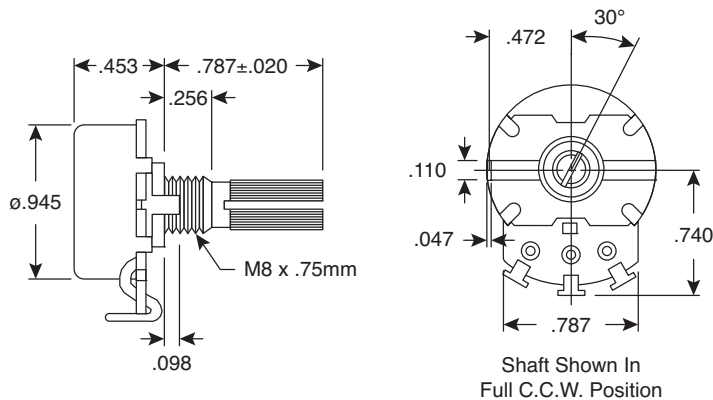
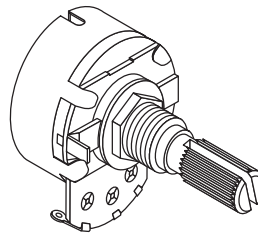




Potentiometers

31VF205-F, 31VF301-F, 31VF302-F, 31VF305-F,
31VF401-F, 31VF405-F, 31VF501-F, 31VF503-F,
31VF505-F, 31VF601-F, 31VF602-F

Dimensions: in.
(except where noted)



Specifications:

- Type: 24mm knurled shaft
- Total rotation: $300 \pm 5^\circ$
- Rotation torque: 20~200gf.cm
- Shaft stop strength: > 6Kgf.cm min.
- Rated power: .5W
- Rated voltage: 500V
- Insulation resistance: > 100M Ω @ 500VDC
- Withstand voltage: 500VAC for 1 minute
- Tap position: 50%(150°)
- Rotation life: 15,000 cycles
- Taper: linear
- RoHS Compliant

Mouser Stock No.	Value (Ω)
31VF205-F	500
31VF301-F	1K
31VF302-F	2K
31VF305-F	5K
31VF401-F	10K
31VF405-F	50K
31VF501-F	100K
31VF503-F	250K
31VF505-F	500K
31VF601-F	1 Meg
31VF602-F	2 Meg