

5

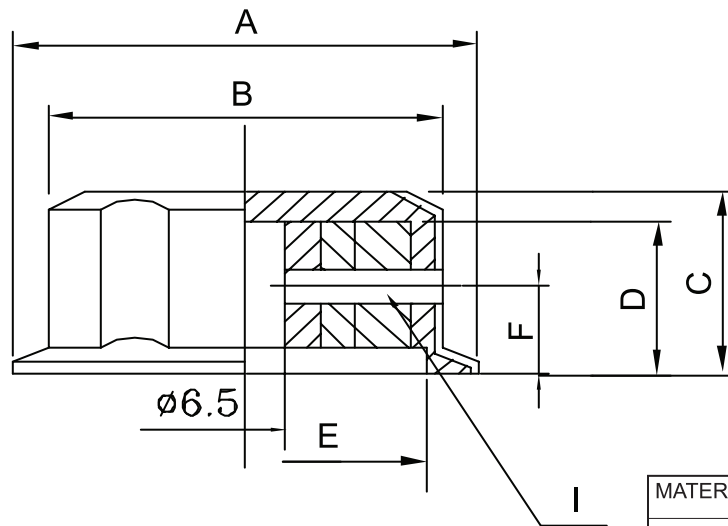
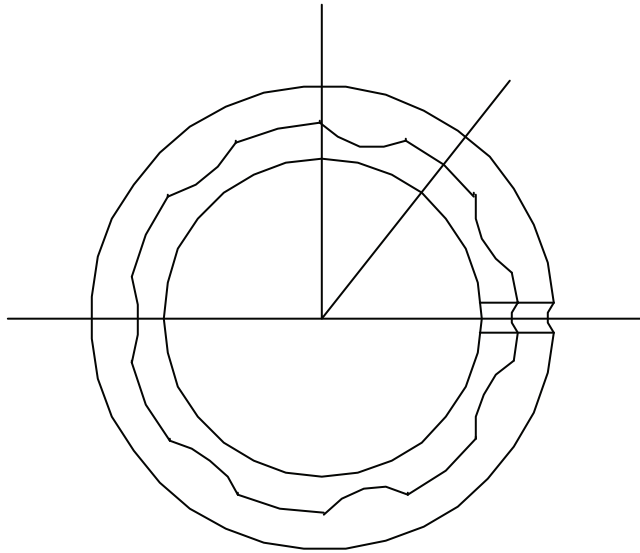
4

3

2

1

Date	Rev.	Description



	JK-901B
A	$\phi 33.3$
B	$\phi 29.8$
C	16.5
D	13.0
E	$\phi 26.3$
F	8.10
I	M4P07

DCC. NO.
A4 DRAWING NO.

MATERIAL		GOLDSUN ELECTRONICS CO., LTD.	
		JAMECO NO. 264946	GOLDSUN NO. JK-901B
DRAWN: Simon Yeh		DESCRIPTION CONTROL KNOBS FOR 6.4mm SHAFT TYPE DIA:33.3mm	
VERIFY PEOPLE: Wendy Chen		UNIT: mm	SCALE: SHEET 1 OF 1
		CAS No:	Rev. 1
		ERN No:	