

5

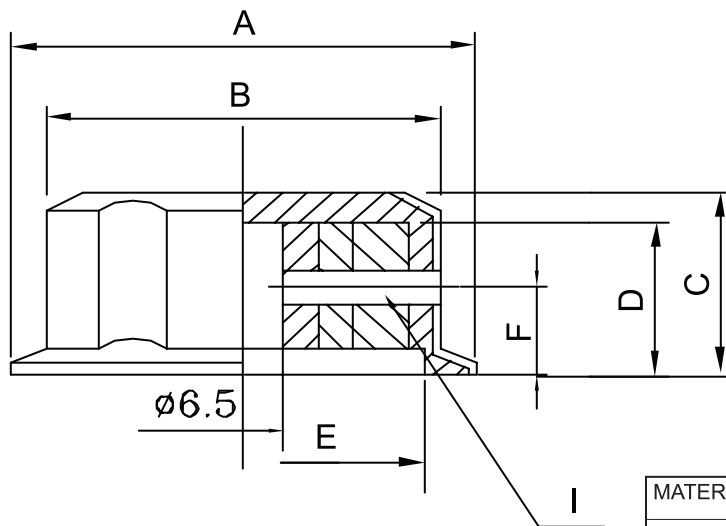
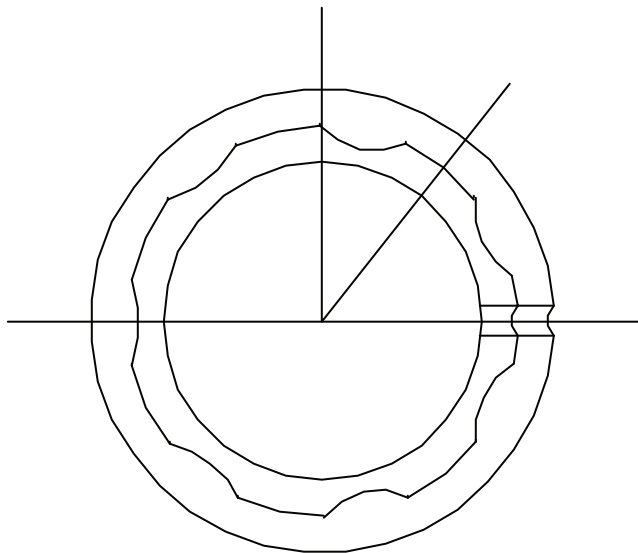
4

3

2

1

Date	Rev.	Description



	JK-901C
A	ø27.1
B	ø24.3
C	15.6
D	12.8
E	ø21.8
F	7.50
I	M4P07

DCC. NO.
A4 DRAWING NO.

MATERIAL		GOLDSUN ELECTRONICS CO., LTD.	
		JAMECO NO. 264955	GOLDSUN NO. JK-901C-ROHS
DRAWN: Simon Yeh		DESCRIPTION CONTROL KNOBS FOR 6.4mm SHAFT TYPE DIA:27.1mm	
VERIFY PEOPLE: Wendy Chen		UNIT: mm	SCALE: SHEET 1 OF 1
		CAS No: ERN No:	Rev. 1