

5

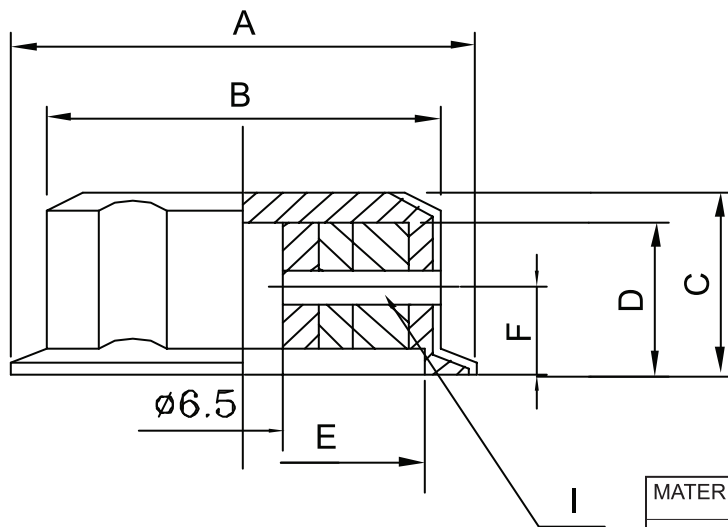
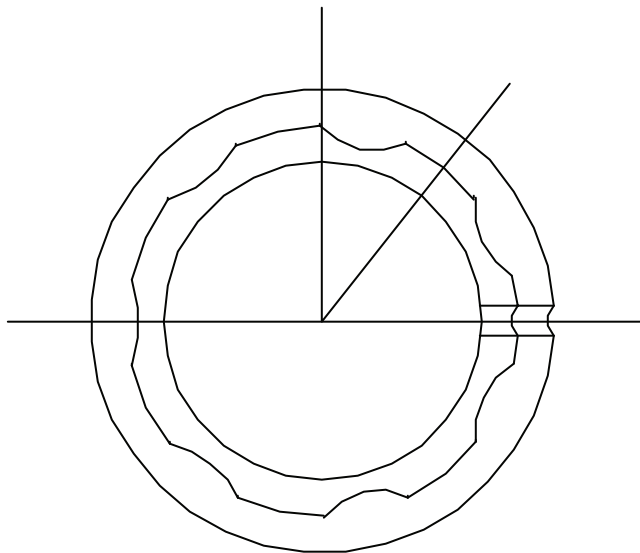
4

3

2

1

Date	Rev.	Description



	<b>JK-901D</b>
<b>A</b>	ø19.8
<b>B</b>	ø16.5
<b>C</b>	11.8
<b>D</b>	10.2
<b>E</b>	ø12.0
<b>F</b>	5.90
<b>I</b>	M3P05

DCC. NO.
A4 DRAWING NO.

MATERIAL		<b>GOLDSUN ELECTRONICS CO., LTD.</b>	
		JAMECO NO. 264990	GOLDSUN NO. JK-901D-ROHS
DRAWN: Simon Yeh		DESCRIPTION CONTROL KNOBS FOR 6.4mm SHAFT TYPE DIA:19.8mm	
VERIFY PEOPLE: Wendy Chen		UNIT: mm	SCALE: SHEET 1 OF 1
		CAS No:	Rev. 1
		ERN No:	