

Distributed by:

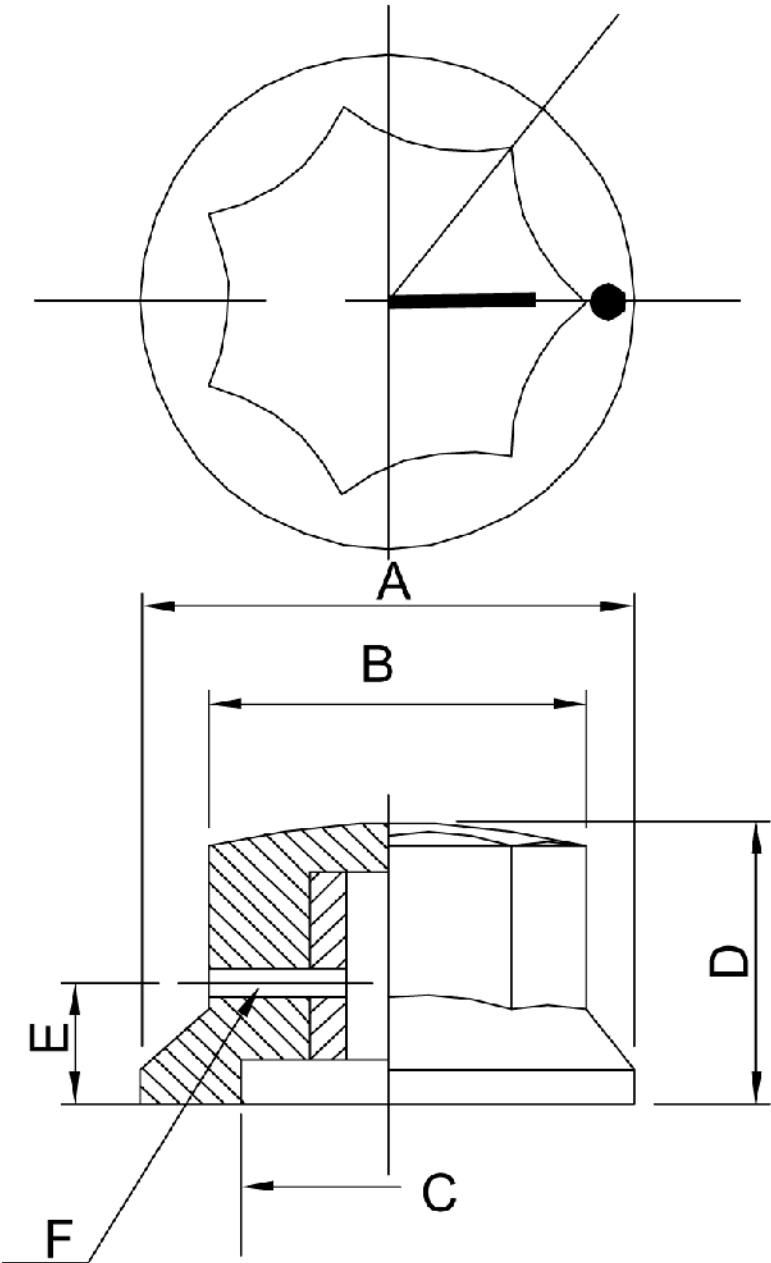
JAMECO[®]
ELECTRONICS

www.Jameco.com ♦ 1-800-831-4242

The content and copyrights of the attached
material are the property of its owner.

Jameco Part Number 264998

Date	Rev.	Description



	JK-902A	JK-902B	JK-902C
A	33.4	24	19.1
B	26.8	19.3	15
C	23.5	14.2	11.7
D	17.5	15.2	12.4
E	8.22	7.0	6.1
F	M4P07	M4P07	M3P05

Shaft hole: $\phi 6.4\text{mm}$

DCC. NO.
A4 DRAWING NO.

MATERIAL		GOLDSUN ELECTRONICS CO., LTD.	
DRAWN: Kiki Chen		JAMECO NO. 264998	GOLDSUN NO. JK-902A
VERIFY PEOPLE: Ada Zheng , Ivy Lan		Description CONTROL KNOBS	
UNIT: mm		SCALE:	Rev. 1
SHEET 1 OF 1		CAS No: ERN No:	