

5

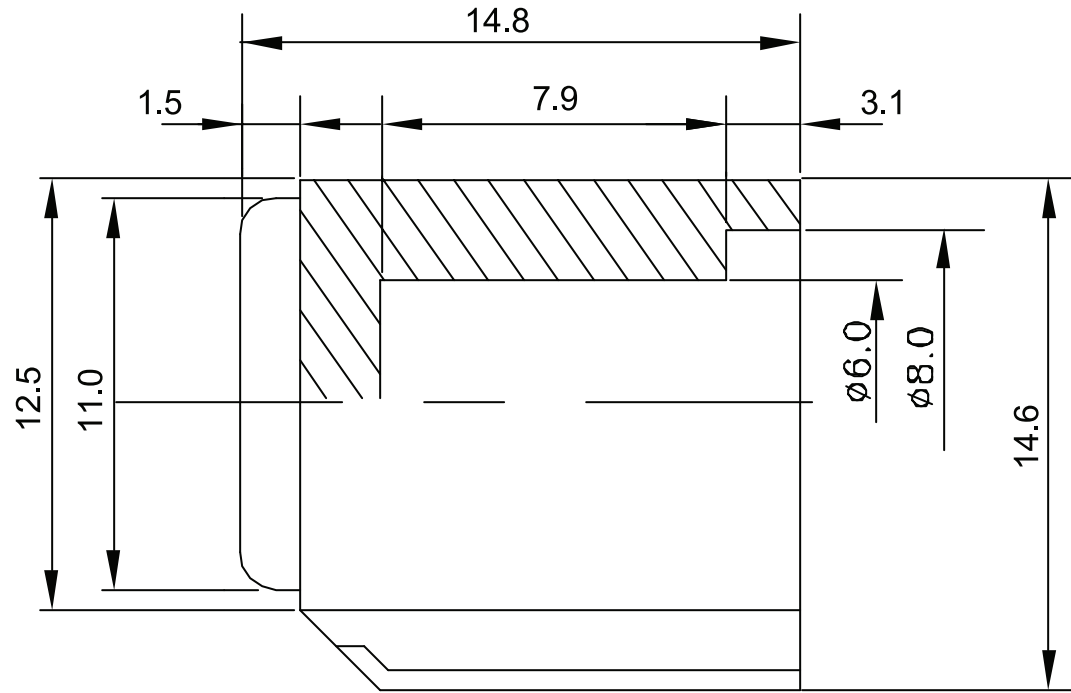
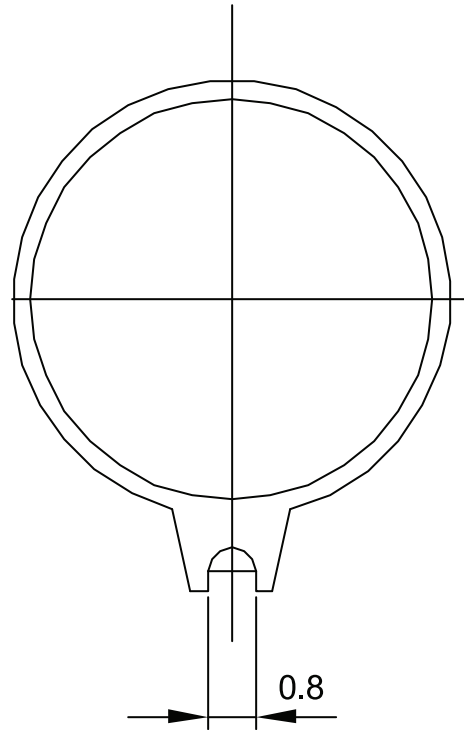
4

3

2

1

Date	Rev.	Description



DCC. NO.
A4 DRAWING NO.

MATERIAL		<b>GOLDSUN ELECTRONICS CO., LTD.</b>	
		JAMECO NO. 265051	GOLDSUN NO. JK-905A-R
DRAWN: Simon Yeh		DESCRIPTION CONTROL KNOBS FOR 6.4mm (1/4") SHAFT TYPE DIA:14.6mm RED COLOR	
VERIFY PEOPLE: Wendy Chen		UNIT: mm	SCALE: SHEET 1 OF 1
		CAS No: ERN No:	Rev. 1

C

B

A