

5

4

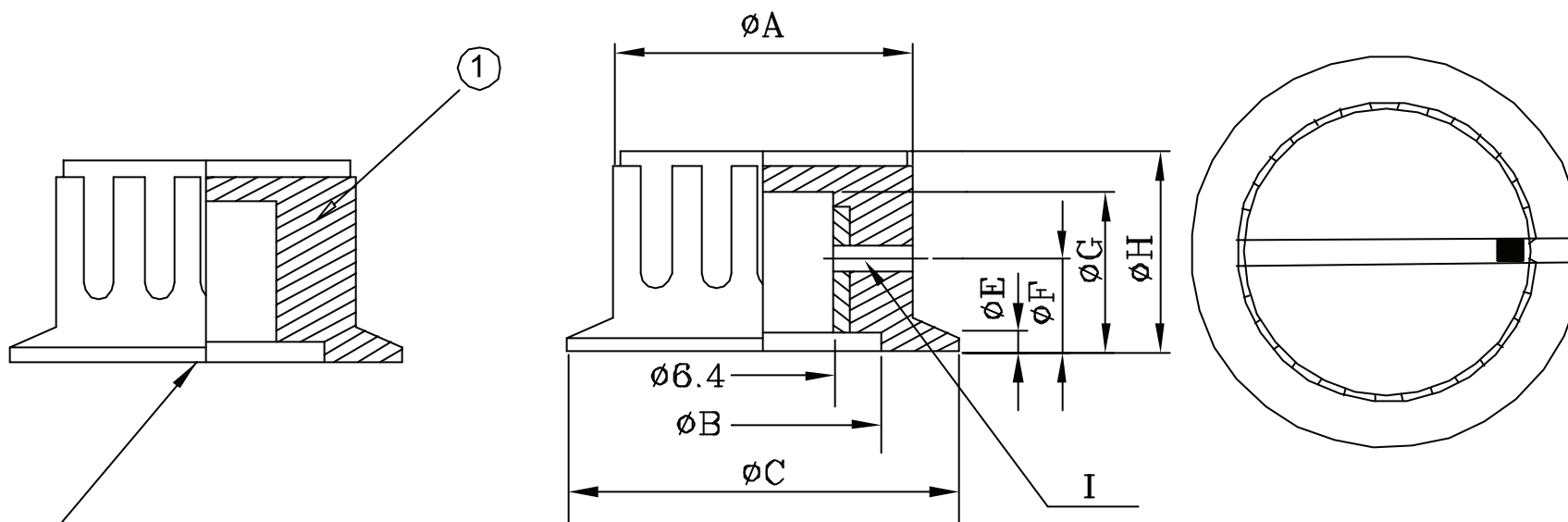
3

2

1

Date	Rev.	Description

	A	B	C	D	E	F	G	H	I
JK-906D	12.7	9.6	15.5	3.0	3.7	7.5	12.8	14.8	M3P05



This Product without Size F, I

DCC. NO.
A4 DRAWING NO.

MATERIAL		<b>GOLDSUN ELECTRONICS CO., LTD.</b>	
		JAMECO NO. 265122	GOLDSUN NO. JK-906D
DRAWN: Simon Yeh		DESCRIPTION CONTROL KNOBS FOR 6.4mm (1/4") SHAFT TYPE DIA: 15.5mm	
VERIFY PEOPLE: Wendy Chen		UNIT: mm	SCALE: SHEET 1 OF 1
		CAS No: ERN No:	Rev. 1

C

B

A