

Distributed by:

JAMECO[®]
ELECTRONICS

www.Jameco.com ♦ 1-800-831-4242

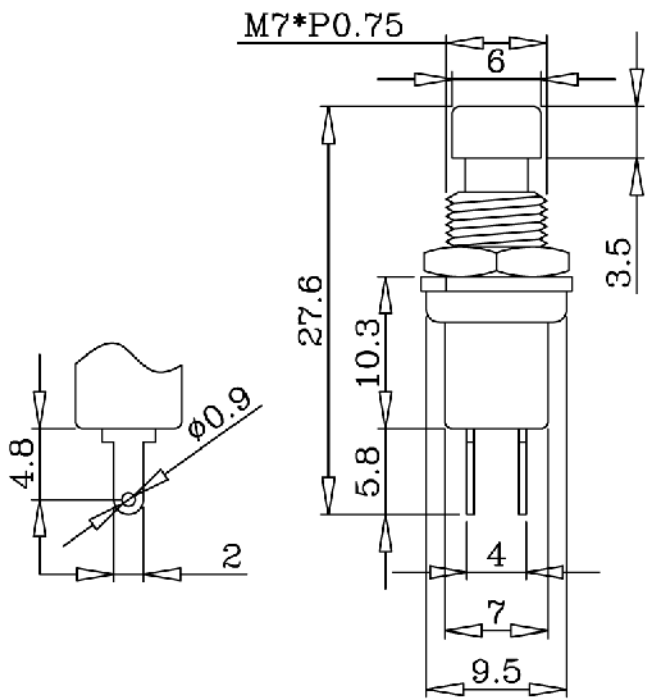
The content and copyrights of the attached
material are the property of its owner.

Jameco Part Number 26623

| Date | Rev. | Description |
|------|------|-------------|
| | | |
| | | |
| | | |

SPECIFICATIONS

- 1.CIRCUIT : A:(ON)-OFF B:ON-(OFF)
- 2.RATING : 1A 125VAC/250VAC
- 3.CONTACT RESISTANCE : 30mΩ Max
- 4.INSULATION RESISTANCE : DC 500V 100MΩ Min
- 5.DIELECTRIC STRENGTH : AC 1000V 1 MINUTE
- 6.ELECTRICAL LIFE : 5000 CYCLE Min
- 7.MECHANICAL LIFE : 10,000 CYCLE Min
- 8.TERMINAL MATERIAL : COPPER,ALLOY,(SILVER OR GOLD),PLATED
- 9.PUSH FORCE : >0.3kg
- 10.BUTTON COLOR : RED,YELLOW,ORANGE,BLACK,GREEN



| |
|----------------|
| DCC. NO. |
| A4 DRAWING NO. |

| | | | |
|------------------------------------|--------|--------------------------------------|---------------------------|
| MATERIAL | | GOLDSUN ELECTRONICS CO., LTD. | |
| DRAWN: Kiki Chen | | JAMECO NO. 26623 | GOLDSUN NO. R-18-29 (A.B) |
| VERIFY PEOPLE: Ada Zheng , Ivy Lan | | Description PUSH BUTTON SWITCH | |
| UNIT: mm | SCALE: | SHEET 1 OF 1 | Rev. 1 |
| | | CAS No: | ERN No: |