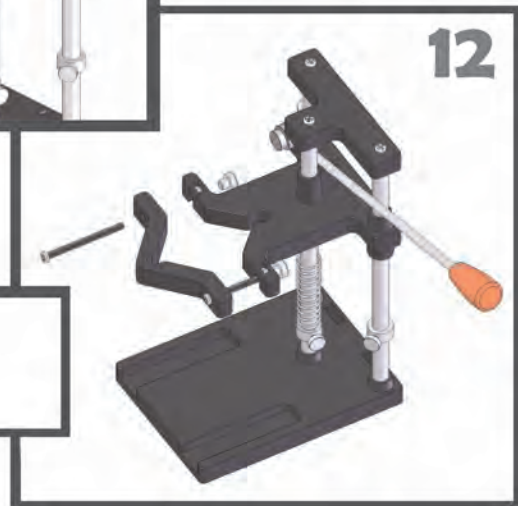
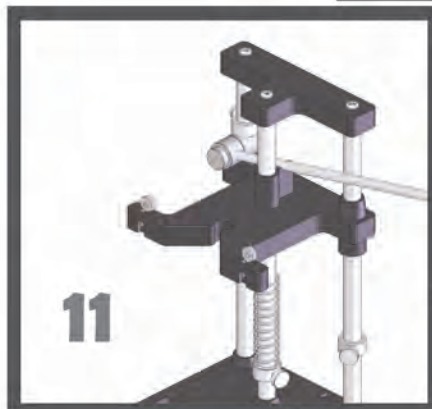
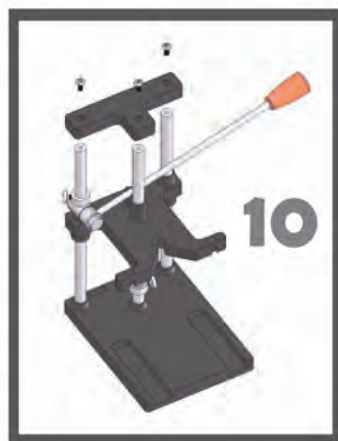
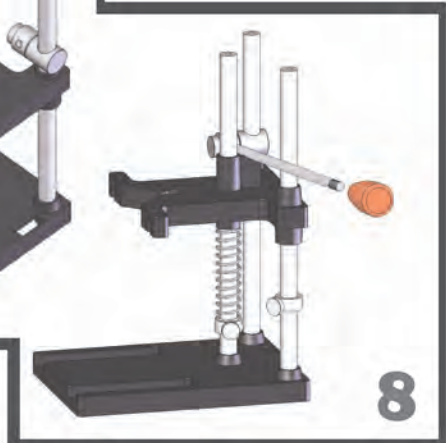
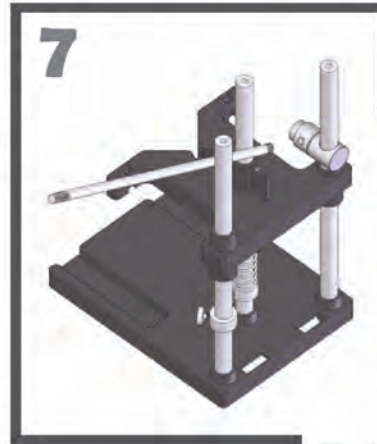
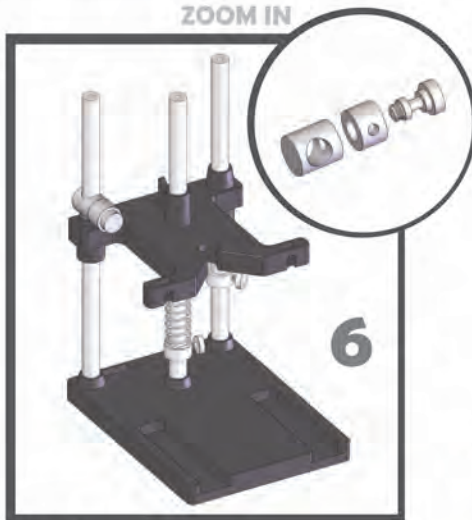
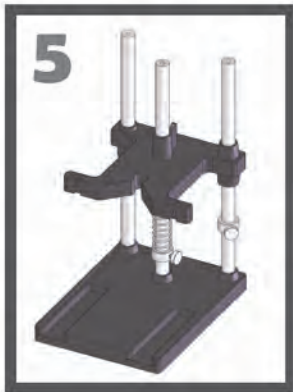
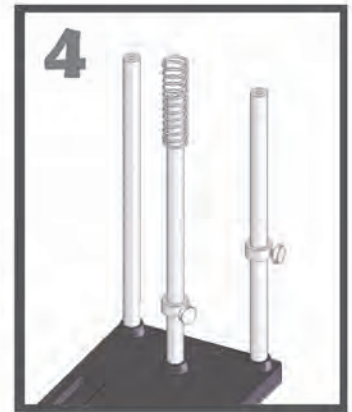


# ASSEMBLING INSTRUCTION



THE OTHER ONE



## Contents

- |                    |                     |
|--------------------|---------------------|
| Base.....x 1       | Spring.....x 1      |
| Main Holder....x 1 | Bolt & Nut(s)...x 3 |
| Front Holder...x 2 | Column.....x 3      |
| Cap.....x 1        | Bolt & Nut(s)...x 2 |
| Socket Set.....x 1 | Screw.....x 7       |
| Handle.....x 1     | Clamp.....x 2       |