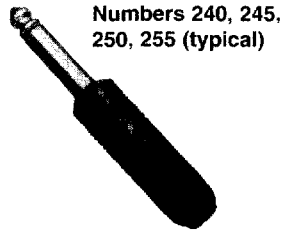


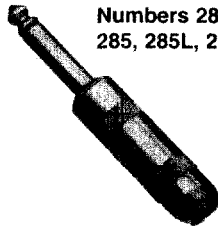
SWITCHCRAFT, INC. 5555 N. Elston Ave. • Chicago, IL 60630 • 773 792-2700 • FAX: 773 792-2129 • www.switchcraft.com

### 1/4" COMMERCIAL PHONE PLUGS

#### 2-CONDUCTOR LITTEL-PLUG® PLUGS



Numbers 240, 245, 250, 255 (typical)

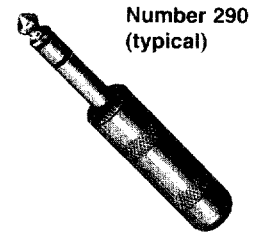


Numbers 280, 281, 285, 285L, 288 (typical)

#### 3-CONDUCTOR LITTEL-PLUG® PLUGS



Number 260 (typical)



Number 290 (typical)

#### FEATURES

- Heavy duty machined copper alloy handle (shielded versions), tip and body for unsurpassed ruggedness.
- Bright nickel plating on exterior surfaces will not chip or corrode.
- Solder terminals are tin electroplated for ease of soldering.
- One-piece tip rod staked into tip terminal ensures electrical continuity
- Heavy duty cable clamp provides secure strain relief.
- The proven industry standard phone plug for audio applications. Beware of imitations!
- Shielded handle versions recommended for applications where electromagnetic interference and physical abuse may occur.

#### SPECIFICATIONS

**Sleeve, Tip and Body:** Nickel-plated copper alloy.

**Terminals:** Solder lug - Tinned copper alloy.

**Screw:** Tin-plated (screws size 3-48).

**Handles:** Molded - black or red plastic. Shielded - machined Nickel-plated copper alloy. Tubular insulator inside handle.

#### 2-CONDUCTOR PLUGS PART NUMBERS

Part Number	Terminals	Typical Mating Jack <sup>2</sup>	Handle*	Handle Part Number
240	Screw <sup>3</sup>	11	Black	M1002
◊C240	Screw <sup>3</sup> with Cable Clamp		Black	
245	Screw <sup>3</sup>		Red	
◊C245	Screw <sup>3</sup> with Cable Clamp		Red	M1003
250	Solder Lug & Cable Clamp		Black	M1002
255	Solder Lug & Cable Clamp		Red	◊M1003
270	Screw <sup>3</sup>		Shielded	
◊C270	Screw <sup>3</sup> with Cable Clamp		Shielded	Handle: T10581 Insulator: A10071
280			Shielded <sup>1</sup>	
281			Shielded <sup>4</sup>	
285	Solder Lug & Cable Clamp		Shielded <sup>4,5</sup>	
288		Shielded <sup>1</sup>		
285L		Shielded <sup>4,5,6</sup>	T2323	
2P1298	Solder Lug & Cable Clamp		Without Handle	
◊2P1495	Screw <sup>3</sup>		Without Handle	

#### 3-CONDUCTOR PLUGS PART NUMBERS

260	Screw	12B	Black	M1002
267	Solder Lug & Cable Clamp		Black	M1002
269	Cable Clamp		Red	◊M1003
290	Screw <sup>3</sup>		Shielded	Handle: T10581 Insulator: A10071
297	Solder Lug & Cable Clamp		Shielded	
◊2P1248	Solder Lug & Cable Clamp		Without Handle	

\* Additional plug handle colors available (P2714) green; (M1111) blue; (M1235) gray.

Fits any plug on which Numbers M1002, M1003 are standard.

1 Wide insulator between tip and sleeve allows use of 2-conductor plug in 3-conductor jack without shorting.

2 Switchcraft Part Numbers. See Mating Jacks Section.

3 Replacement Screw Part Number P10292 (2-conductor plugs require 2 screws).

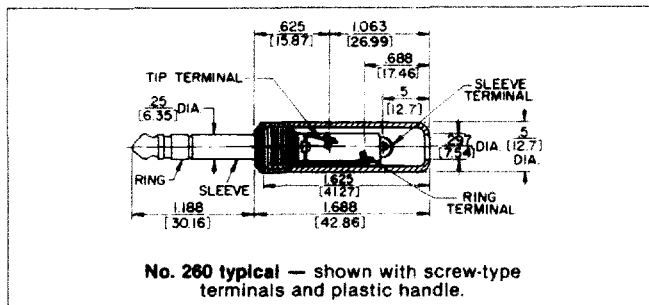
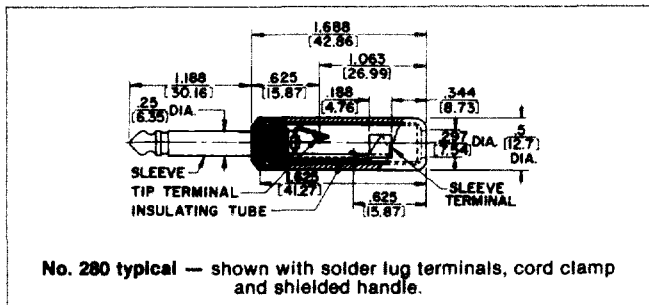
3-conductor plugs require 3 screws.

4 Unassembled.

5 Larger cable clamp to accommodate larger diameter cables.

6 Handle has .375 inch (9.53mm) diameter hole to accommodate larger diameter cables.

◊ Special order only. Contact Switchcraft.



DIMENSIONS ARE FOR REFERENCE ONLY Inch  
(mm)

NOTE: Contact your Switchcraft Representative for price and delivery.

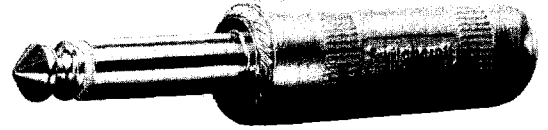
### 1/4" COMMERCIAL PHONE PLUGS (continued)

Switchcraft® commercial 2- and 3-conductor phone plugs are available with a logo handle in addition to the plain handle. The Switchcraft name appears prominently on the shielded handle so the plugs can no longer be easily confused with "copycat" plugs found on the market today. Knurling on handles provides a convenient, positive fingertip grip for connect and disconnect.

Plugs are available in the following popular variations:

1. 1/4 inch diameter finger, 2-conductors.
2. 1/4 inch diameter finger, 3-conductors.
3. .206 inch diameter finger, 2-conductors.

Plug handles accept cable up to .290 inch diameter.



#### SPECIFICATIONS

**Sleeve:** Tip and Body: Plated copper alloy.

**Terminals:** Solder lug: Copper alloy, electro-tinned;  
Screw: Tin-plated (screw size #3-48).

**Handles:** Nickel-plated zinc (tubular insulator inside handle)

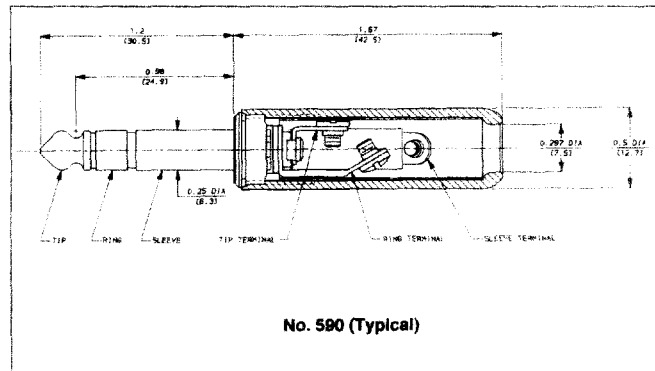
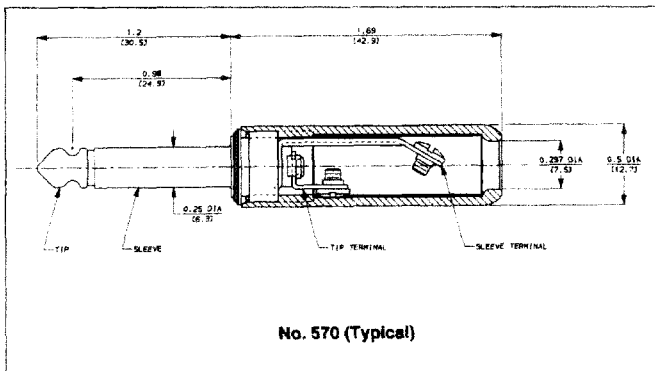
#### PART NUMBERS

**NOTE:** Plugs have 1/4 inch finger diameter unless otherwise specified.

Logo Handle	Plain Handle	Description	Typical Mating Jack <sup>1</sup>
<b>2-CONDUCTORS</b>			
570	270	Screw terminals. Shielded handle.	11
580	280	Solder lug & cable clamp. Shielded handle.	
581	281	Solder lug & cable clamp. Shielded handle. Unassembled.	
585	285	Solder lug & cable clamp. Shielded handle. Unassembled. Larger cable clamp accommodates larger cables.	
588	288	Solder lug & cable clamp. Shielded handle. Wide insulator between tip and sleeve makes possible use as a 2-conductor plug in 3-conductor jack without shorting.	
S580	S280	Solder lug & cable clamp. Shielded handle. Plug finger has .206 inch diameter.	S11
<b>3-CONDUCTORS</b>			
590	290	Screw terminals. Shielded handle.	12B, 133
597	297	Solder lug & cable clamp. Shielded handle.	
598	298	Solder lug & cable clamp. Shielded handle. Locking feature.	

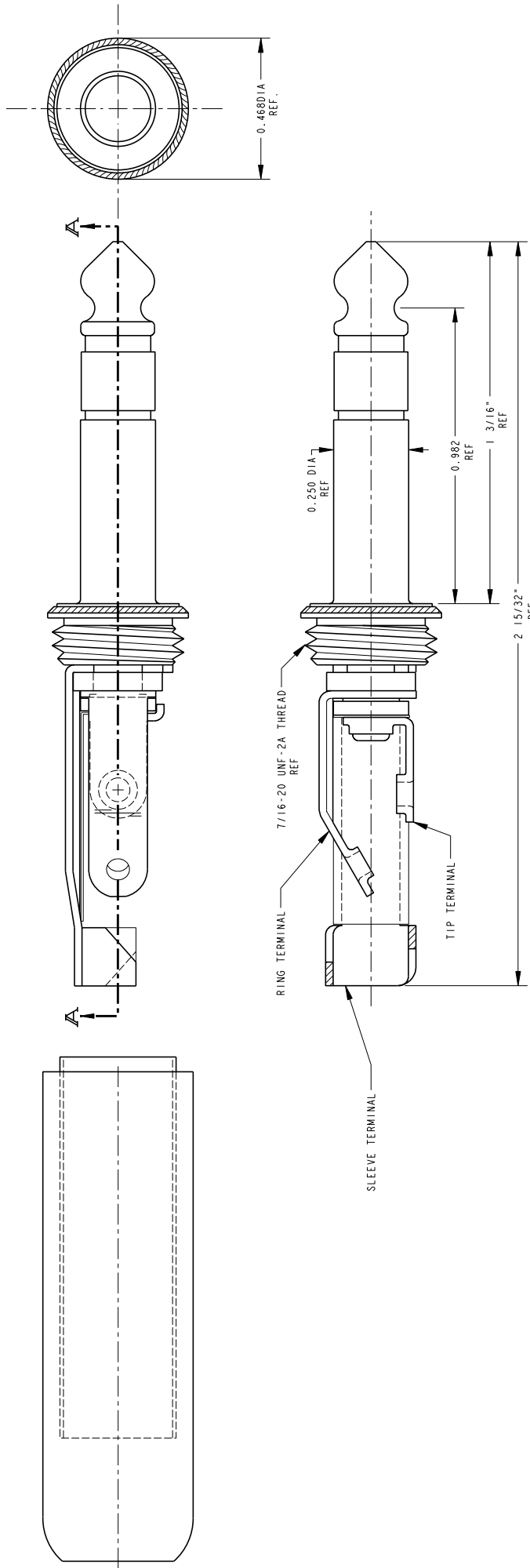
1 Other mating plugs are available.

2 Replacement screw. Part Number P10292 (2-conductor requires 2 screws; 3-conductor requires 3 screws).



DIMENSIONS ARE FOR REFERENCE ONLY Inch  
(mm)

**NOTE:** Contact your Switchcraft Representative for price and delivery.



SECTION A-A

**MATERIAL:**  
 TIP ROD, RING, SLEEVE, HANDLE: BRASS, NICKEL PLATED  
 SOLDER TERMINALS: NICKEL SILVER, ELECTROTIMNED  
 INSULATORS: GLASS EPOXY, CELENESE, MYLAR

**CUSTOMER DRAWING**  
 CAD/CAM DWG. NO. 297-CD

SHEET 1 OF 1

ALL DIMENSIONS UNLESS OTHERWISE SPECIFIED ARE IN INCHES UNLESS OTHERWISE SPECIFIED  
 UNLESS OTHERWISE SPECIFIED  
 1. ALL DIMENSIONS IN INCHES  
 2. DECIMAL DIMENSIONS ±.005  
 3. ANGLES ±1/2°  
 4. HOLE DIMENSIONS ±.014  
 5. ALL DIAS CONCENTRIC WITHIN .005 T.I.R.  
 6. HOLE DIMENSIONS ±.005  
 7. MAKE NO DIMENSIONAL ALLOWANCES FOR PLATING, ELECTROPLATING, OR FINISHES UNLESS OTHERWISE SPECIFIED  
 8. INCLUDE DIMENSIONS FOR CENTERLINE MUST BE INCLUDED WITHIN THE DIMENSIONS

REV	DATE	BY	APP'D	REVISIONS
6	ECO 4/26/27	2-19-94	RC	AS
5	ECO 4/20/86	1-16-94	RC	140
4	ECO 11/10/00	3-26-94	RC	640
3	FIRST DRAWN	7-14-94	RC	AC
2	CHANGE NO.	DATE	BY	APP'D
1				

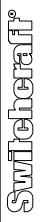
DO NOT SCALE DRAWING

Pro/Engineer CAD File

ROUTING

PART NO. 297

ISSUE 6



DATE DRAWN BY: 7-14-94 RC  
 DATE APP'D BY: 7-15-94 RC

FINISH: UNLESS OTHERWISE SPECIFIED  
 SCALE: 1 = 0.25  
 MATERIAL: UNLESS OTHERWISE SPECIFIED  
 SPEC. NO.: UNLESS OTHERWISE SPECIFIED

DATE DRAWN BY: 7-14-94 RC  
 DATE APP'D BY: 7-15-94 RC

THIS DRAWING REQUIRES THE USE OF CONSIDERED PROPRIETARY IN ANY DEVELOPED OR MANUFACTURED BY SWITCHCRAFT, INC. AND IS RELEASED ON A CONFIDENTIAL BASIS FOR IDENTIFICATION PURPOSE ONLY.