

Distributed by:

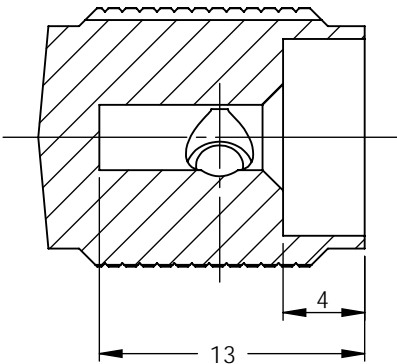
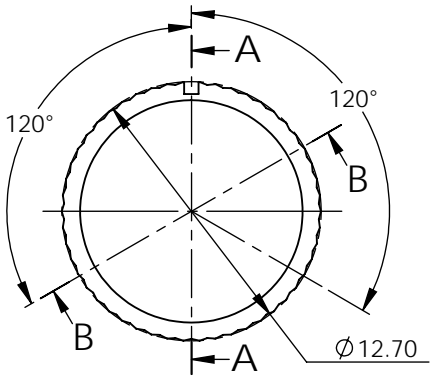
JAMECO[®]
ELECTRONICS

www.Jameco.com ♦ 1-800-831-4242

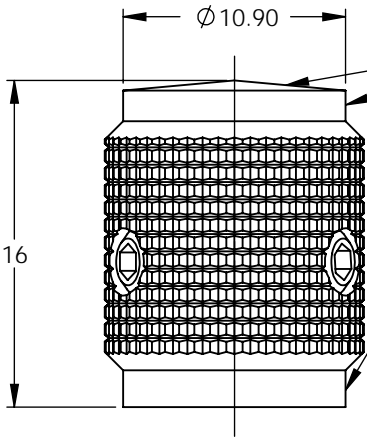
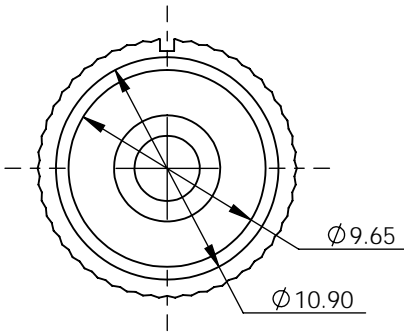
The content and copyrights of the attached
material are the property of its owner.

Jameco Part Number 290125

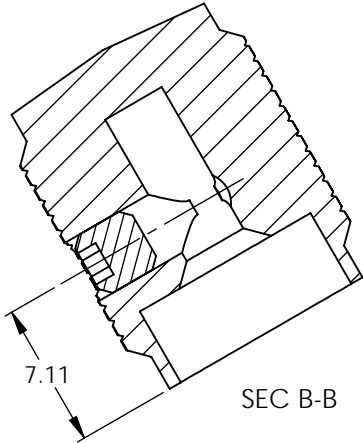
Date	Rev.	Description



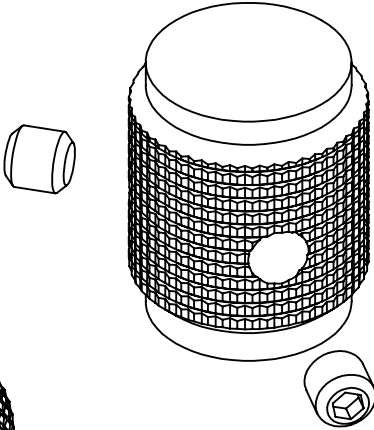
SEC A-A



THE FINISH TO BE SPUN



SEC B-B



DCC. NO.
A4 DRAWING NO.

MATERIAL		GOLDSUN ELECTRONICS CO., LTD.	
JAMECO NO. 290125		GOLDSUN NO. 42008-1-R	
DRAWN: Kiki Chen		Description ALUMINUM CONTROL KNOBS	
VERIFY PEOPLE: Wendy Chen, Fanny Du		UNIT: mm	SCALE: SHEET 1 OF 1
		CAS No: ERN No:	Rev. 1