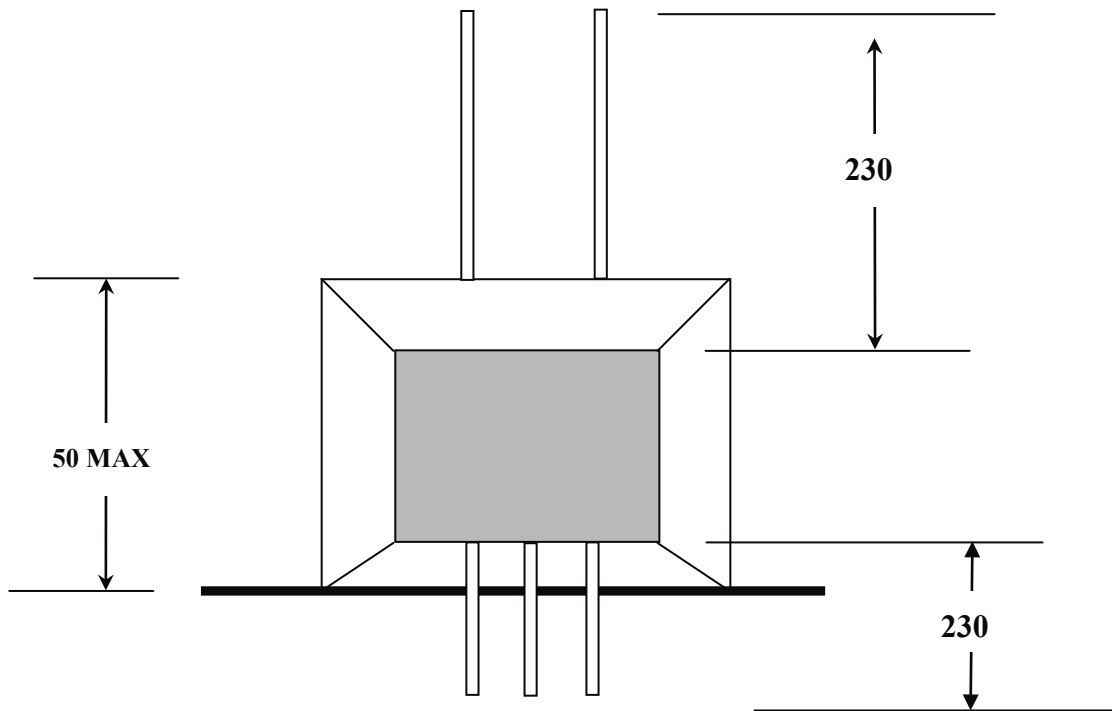
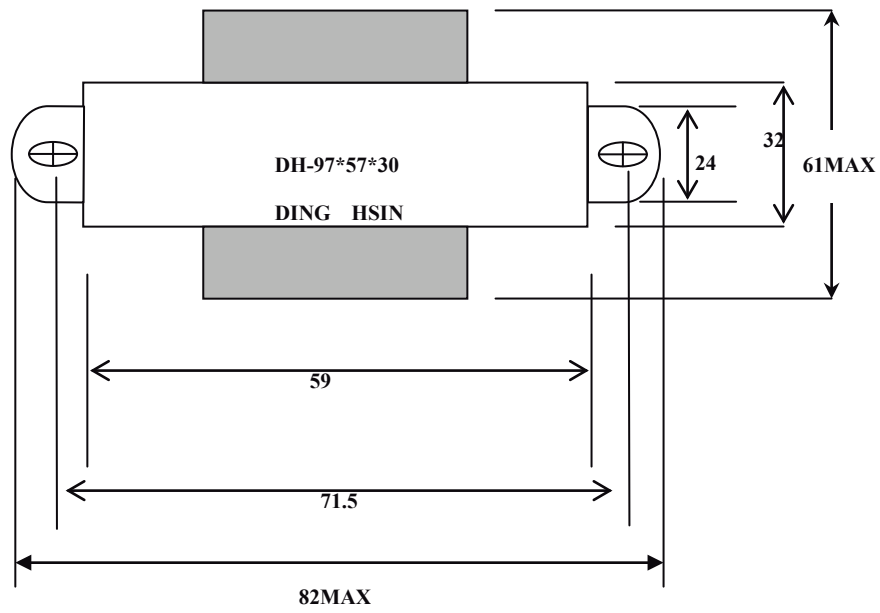


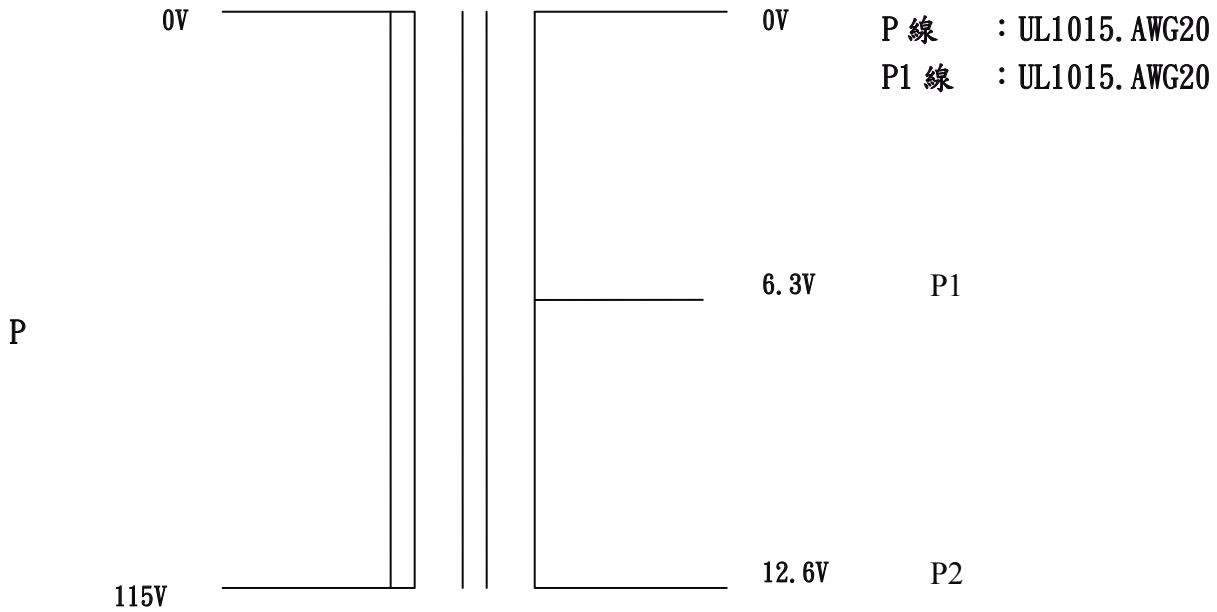
|   |         |            |            |
|---|---------|------------|------------|
| 1 | BOBBIN  | NYLON      | E41938 (M) |
| 2 | SILICON | H 50       | N/A        |
|   |         |            | N/A        |
|   |         |            | N/A        |
| 3 | WIRE    | 2UEW 130°C | E84201     |
|   |         |            | E :        |
|   |         |            | E :        |
| 4 | TAPE    |            | E17385     |
|   |         |            |            |
|   |         |            |            |
| 5 | PAPER   | 0.25 mm    | E :        |
| 6 | PVC     | 1015*20AGW | E203895    |
| 7 | PVC     | 1015*20AGW |            |
| 8 | L 脚     |            |            |
| 9 |         |            |            |

|   |        |                              |                    |
|---|--------|------------------------------|--------------------|
| <b>GOLDSUN ELECTRONICS CO., LTD.</b>                              |        |                              |                    |
| JAMECO NO.<br>29226   |        | GOLDSUN NO.<br>E1-57x30-ROHS |                    |
| Description<br>Power Transformer 12.6VCT@2A<br>115V@AC Wire Leads |        |                              | Rev.<br>1          |
| UNIT:<br>mm   | SCALE: | SHEET 1 OF 1                 | CAS No:<br>ERN No: |



**GOLDSUN ELECTRONICS CO., LTD.**

|   |        |                                     |                    |
|---|--------|-------------------------------------|--------------------|
| JAMECO NO.<br><b>29226</b>  |        | GOLDSUN NO.<br><b>EI-57x30-ROHS</b> |                    |
| Description<br>Power Transformer 12.6VCT@2A<br>115V@AC Wire Leads |        |                                     | Rev.<br><b>1</b>   |
| UNIT:<br>mm   | SCALE: | SHEET 1 OF 1                        | CAS No:<br>ERN No: |



- |   |   |
|---|---|
| <u>1. TYPE: Single Phase Power Transformer</u>        | <u>10. Temperature Below 70deg</u>          |
| <u>2. Output capacity: 25 VA</u>                      | <u>11. Voltage mobility rate: Below 10%</u> |
| <u>3. Primary Votage: 115V</u>                        | <u>12. Voltage deviation: within ±5%</u>    |
| <u>4. Secondary Voltage P1 : 6.3V P2 : 12.6V</u>      | <u>13. RoHS</u>                             |
| <u>5. Secondary current P1 : 2A P2 : 2A</u>           |   |
| <u>6. Frequency: 50/60Hz</u>                          |   |
| <u>7. Time frame: continuous</u>                      |   |
| <u>8. Insulation resistance: DC500V 100MΩ以上</u>       |   |
| <u>9. Insulation endurance: AC1500V 1min 50Hz P-S</u> |   |

|   |        |                              |                    |
|---|--------|------------------------------|--------------------|
| <b>GOLDSUN ELECTRONICS CO., LTD.</b>                              |        |                              |                    |
| JAMECO NO.<br>29226   |        | GOLDSUN NO.<br>E1-57x30-ROHS |                    |
| Description<br>Power Transformer 12.6VCT@2A<br>115V@AC Wire Leads |        |                              | Rev.<br>1          |
| UNIT:<br>mm   | SCALE: | SHEET 1 OF 1                 | CAS No:<br>ERN No: |