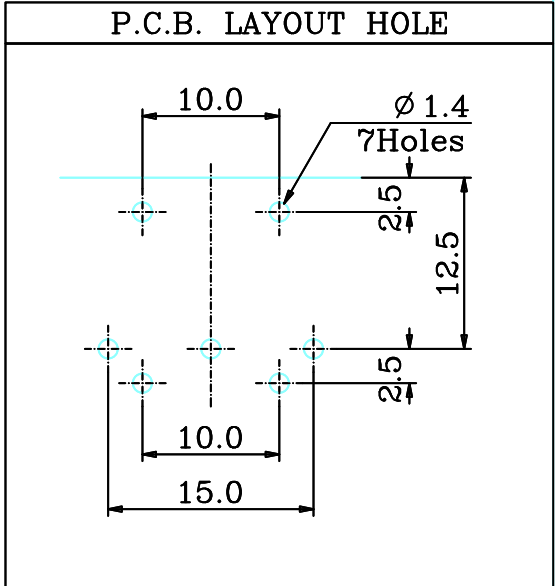
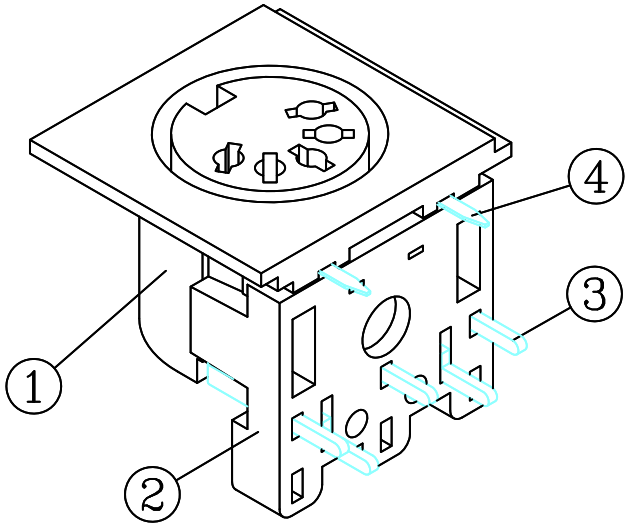
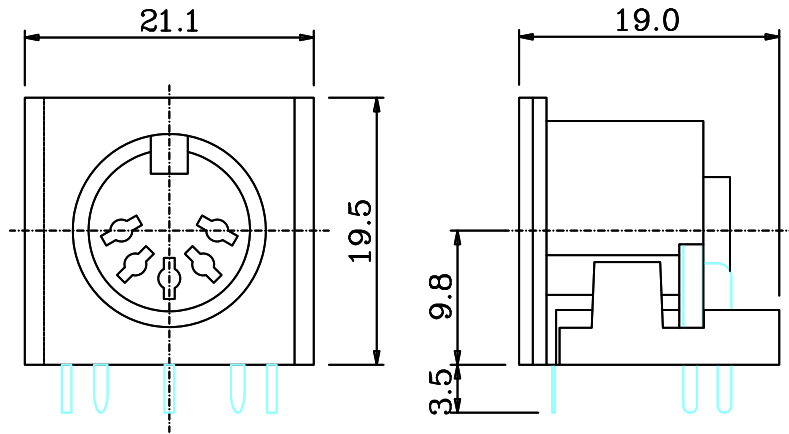


Date	Rev.	Description

ARRANGEMENT OF CONTACTS							SPECIFICATIONS
PARTS	3P	4P	5P	6P	7P	8P	Contact resistance 20MΩ Max. Dielectric strength 1,000V AC/1 Minute Insulation resistance 100MΩ Min. at 500V DC Rating 100V AC 2A
ANGLE	180°	216°	180°	240°	270°	270°	
POSITION OF VIEWS							



4	EARTH TERMINAL	1	BSR-H (0.2t)	[C1519R-H]	NICKEL	30-50U"
3	CONTACT TERMINAL	5	BSR-H (0.7t)	[C2680R]	SILVER PLATED	30-50U"
2	BASE	1	PBT	[D202G15]		UL94
1	MAIN BODY	1	PBT	[D202G15]		UL94
P/N	PART NAME	Q'TY	MATERIAL		PLATING <sup>o</sup>	REMARKS

DATE 980828 SCALE 2 : 1 UNIT M/M

5 P 180° JACK

DCC. NO.  
A4 DRAWING NO.

MATERIAL  
DRAWN: Colin Hung  
VERIFY PEOPLE: Penny

**GOLDSUN ELECTRONICS CO., LTD.**  
 JAMECO NO. 29399  
 GOLD SUN NO. B-1001-R  
 Description RIGHT ANGLE DIN FEMALE SOCKETS 5 PINS  
 UNIT: mm SCALE: SHEET 1 OF 1 CAS No: ERN No:  
 Rev. 1