

Distributed by:

JAMECO[®]
ELECTRONICS

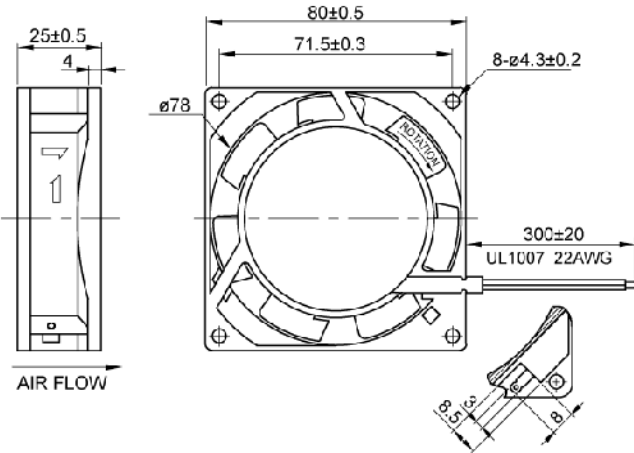
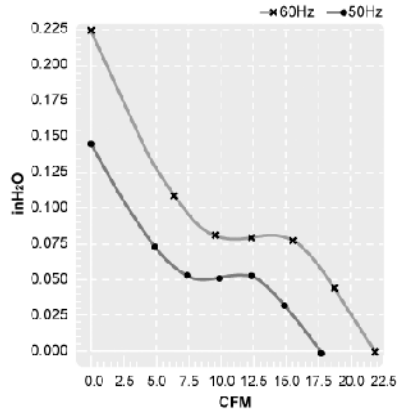
www.Jameco.com ♦ 1-800-831-4242

The content and copyrights of the attached
material are the property of its owner.

Jameco Part Number 300557

Date	Rev.	Description

Size : 80 x 80 x 25
Unit : mm



Terminal or Lead Wire Type

Impedance Protection

Spec. Model	Rated Voltage V	Frequency Hz	Input Power W	Rated Current A	Locked Current A	Speed RPM	Maximum Air Flow m ³ /min.	Maximum Air Flow CFM	Maximum Pressure mmH ₂ O	Maximum Pressure InchH ₂ O	Noise dB	Weight kg
UF80B10-H	100V	50	16	0.19	0.20	2600	0.59	21	4.0	0.16	32	0.26
		60	14	0.18	0.19	3100	0.68	24	5.5	0.22	35	
UF80B11-H	115V	50	14	0.15	0.16	2600	0.59	21	4.0	0.16	32	0.26
		60	11	0.12	0.13	3100	0.68	24	5.5	0.22	35	
UF80B20-H	200V	50	16	0.08	0.09	2600	0.59	21	4.0	0.16	32	0.26
		60	14	0.07	0.08	3100	0.68	24	5.5	0.22	35	
UF80B23-H	230V	50	16	0.08	0.09	2600	0.59	21	4.0	0.16	32	0.26
		60	14	0.07	0.08	3100	0.68	24	5.5	0.22	35	
UF80B11-L	115V	50	14	0.14	0.15	1900	0.40	15	2.0	0.08	28	0.26
		60	11	0.12	0.13	2400	0.50	18	3.5	0.14	31	
UF80B23-L	230V	50	16	0.07	0.08	1900	0.40	15	2.0	0.08	28	0.26
		60	14	0.06	0.07	2400	0.50	18	3.5	0.14	31	

DCC. NO.
A4 DRAWING NO.

MATERIAL		GOLDSUN ELECTRONICS CO., LTD.	
		JAMECO NO. 300557	GOLDSUN NO. UF80B11-H
DRWN Kiki Chen	DATE	Description FAN	
CHK Ada Zheng	DATE	Rev. 1	
APVD Chesley Chang	DATE	UNIT: mm	SCALE: SHEET 1 OF 1
		CAS No: ERN No:	