

Distributed by:

JAMECO[®]
ELECTRONICS

www.Jameco.com ♦ 1-800-831-4242

The content and copyrights of the attached
material are the property of its owner.

Jameco Part Number 303459

SPECIFICATIONS

Date	Rev.	Description

MODEL : DP200A
P/N : 2123XBL.GN

- 1-1. Rated Voltage : 220-240 VAC 50/60 Hz**
- 1-2. Operating Voltage Range : 185~245 VAC**
- 1-3. Starting Voltage : 185 VAC (25 deg. C POWER ON/OFF)**
- 1-4. Rated Speed : 2850/3150 RPM ± 10%**
- 1-5. Air Delivery : 97.0/117.0 CFM**
- 1-6. Static Pressure : 0.34/0.39 Inch-H₂O**
- 1-7. Rated Current : 0.14/0.12 AMP**
- 1-8. Rated Power : 22.0/21.0 WATTS**
- 1-9. Noise Level : 45/50 dB(A)**
- 1-10. Direction of Rotation : Counter-clockwise viewed from front of fan blade**
- 1-11. Operating Temperature : -10 to +70 deg. C**
- 1-12. Storage Temperature : -40 to +70 deg. C**
- 1-13. Bearing System : Precision ball bearing system**
- 1-14. Weight : 550 g**
- 1-15. Safety : TUV/ UL/CUR/CE Approvals**
- 1-16. Vibration : Vibration of acceleration 1.5G and frequency 5~50~5Hz is applied in all 3 directions(X,Y,Z), in cycles of 1 minute each, for a total vibration time of 30 minutes.**

DCC. NO.
A4 DRAWING NO.

MATERIAL	GOLDSUN ELECTRONICS CO., LTD.		
	JAMECO NO. 303459	GOLDSUN NO. DP20A-2123XBL.GN	
DRAWN: Kiki Chen	Description AC FANS 220VAC 117CFM BALL		Rev. 1
VERIFY PEOPLE: Wendy Chen	UNIT: mm	SCALE:	CAS No: ERN No:
		SHEET 1 OF 4	

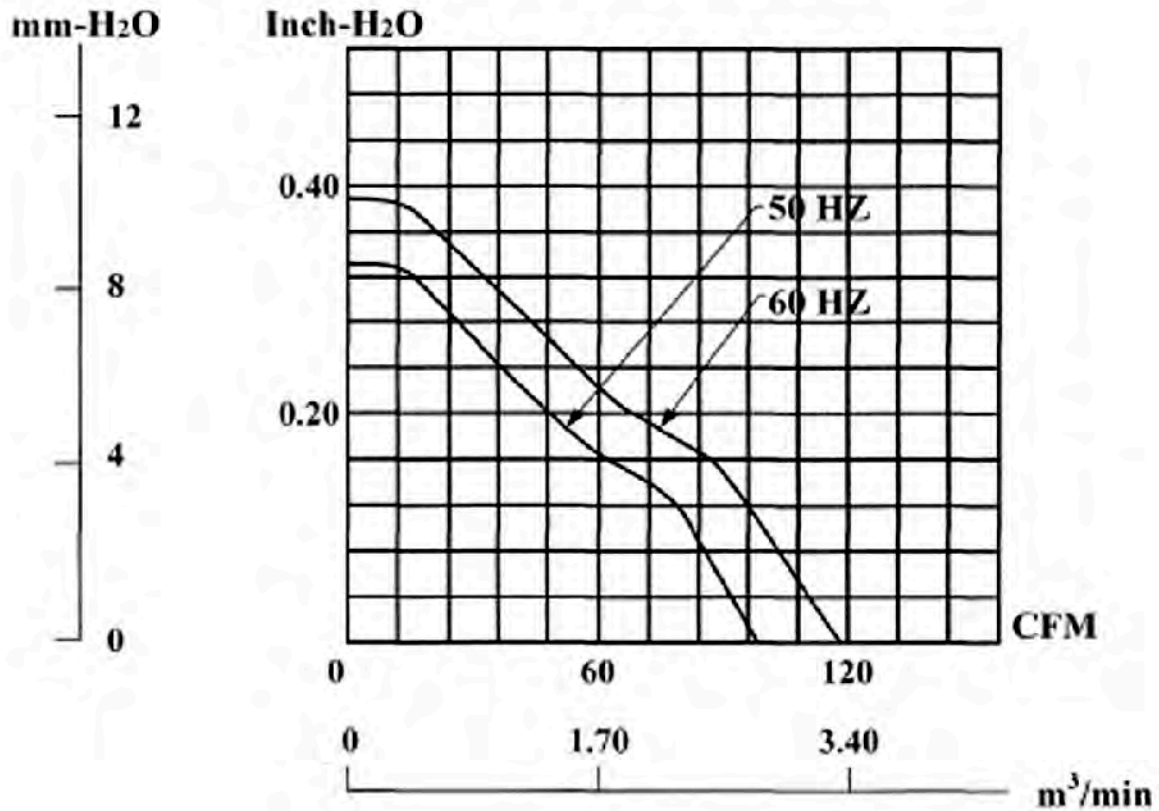
Date	Rev.	Description

MODEL : DP200A

P/N : 2123XBL.GN

PERFORMANCE CURVES

**STATIC
PRESSURE**



MATERIAL	GOLDSUN ELECTRONICS CO., LTD.		
	JAMECO NO. 303459	GOLDSUN NO. DP20A-2123XBL.GN	
DRAWN: Kiki Chen	Description AC FANS 220VAC 117CFM BALL		Rev. 1
VERIFY PEOPLE: Wendy Chen	UNIT: mm	SCALE:	CAS No: ERN No:
		SHEET 2 OF 4	

DCC. NO.
A4 DRAWING NO.

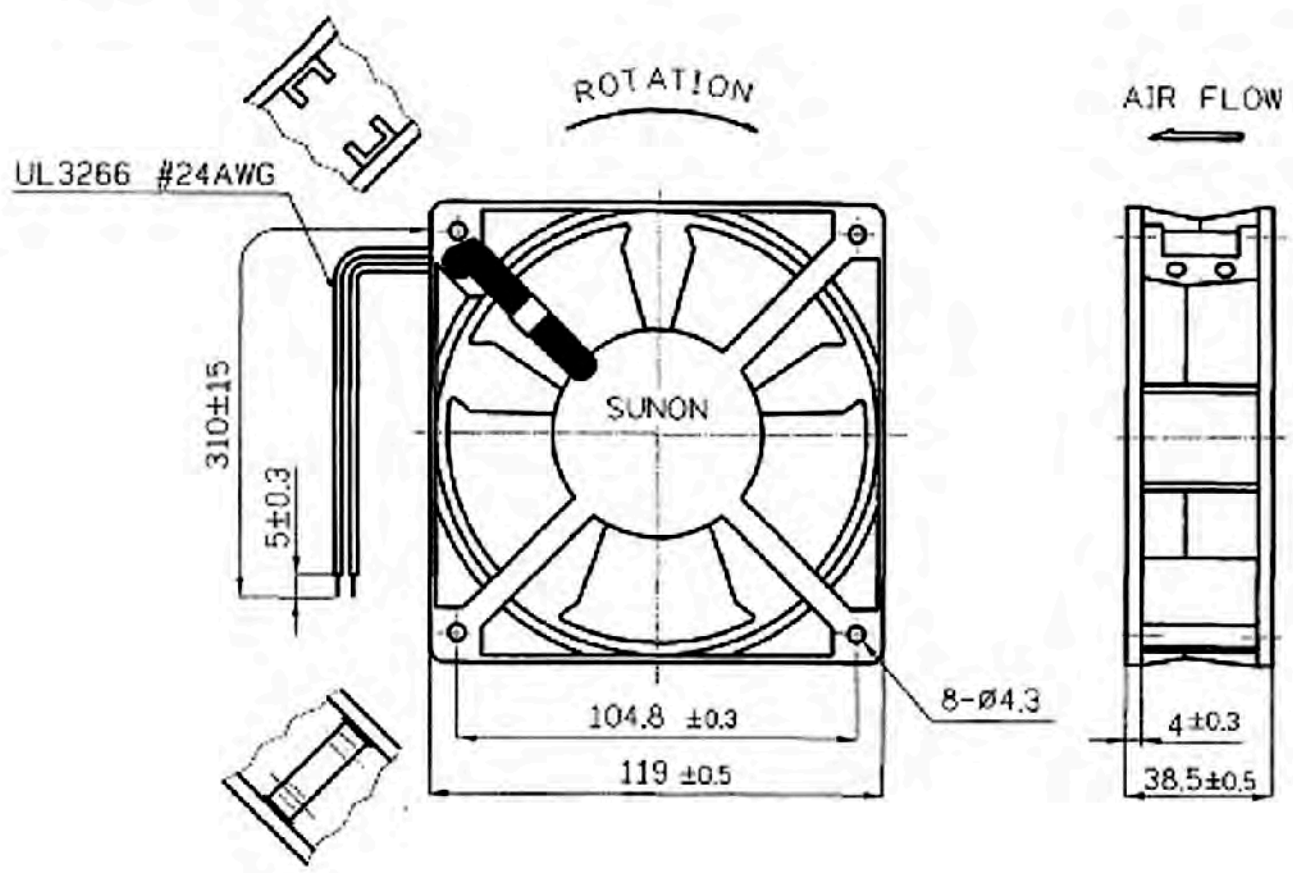
Date	Rev.	Description

MATERIAL

2. Material

- 2-1. Frame : **DIE-CAST ALUMINUM**
- 2-2. Impeller : **Thermoplastic PBT of UL 94V-0**
- 2-4. Lead Wire : **UL3266, 24 awg, GRAY**

DIMENSIONS



1. Air Flow Direction: Toward label side.
2. Best Mounting Direction: Any orientation.

UNITS : mm

DCC. NO.
A4 DRAWING NO.

MATERIAL	GOLDSUN ELECTRONICS CO., LTD.		
DRAWN: Kiki Chen	JAMECO NO. 303459	GOLDSUN NO. DP20A-2123XBL.GN	
VERIFY PEOPLE: Wendy Chen	Description AC FANS 220VAC 117CFM BALL		Rev. 1
	UNIT: mm	SCALE:	CAS No: ERN No:
		SHEET 3 OF 4	

Date	Rev.	Description

Declaration of RoHS

Control declaration of environment- related substances/ materials

1. In accordance with the Restriction of Hazardous Substances (RoHS) Directive, Sunon product with P/N: GN models have complied with law and discipline not to employ the forbidden substances, and restrict the allowable concentration of some limited substances deliberately in our components.

No	Substance	Criteria
1	Halogens & its compounds (Substances depleting the ozone layer)	Forbidden
2	Chlorinated Organic Solvent	Forbidden
3	Plastic (Frame, Impeller, wire harness, etc.)	<100ppm
	Solder	<1000ppm
	Iron Alloy	<3500ppm
	Aluminium Alloy	<4000ppm
	Copper Alloy	<4wt%
4	Solder	<20ppm
	Cadmium Alloy	<100ppm
	Plastic	<5ppm
5	PBB and PBDE Category	Forbidden
6	PCB and PCT Category	Forbidden
7	CP	Forbidden
8	Mirex	Forbidden
9	PCN category	Forbidden
10	Hexavalent Chromium Compounds	<100ppm
11	Mercury and its compounds	Forbidden
12	Asbestos	Forbidden
13	Organic Tin Compounds	Forbidden
14	Azo Compounds	Forbidden

DCC. NO.
A4 DRAWING NO.

MATERIAL	GOLDSUN ELECTRONICS CO., LTD.		
	JAMECO NO. 303459	GOLDSUN NO. DP20A-2123XBL.GN	
DRAWN: Kiki Chen VERIFY PEOPLE: Wendy Chen	Description AC FANS 220VAC 117CFM BALL		Rev. 1
	UNIT: mm	SCALE:	SHEET 4 OF 4 CAS No: ERN No: