

Distributed by:



www.Jameco.com ♦ 1-800-831-4242

The content and copyrights of the attached material are the property of its owner.

Jameco Part Number 304725

FEATURES AND SPECIFICATIONS

Features and Benefits

- Crimp terminal for use in all Mini-Fit, Jr., BMI and TPA plug housings
- Four gas-tight points of contact on Tin-plated contacts
- HCS offers 3 additional amperes of current

Reference Information

Packaging: Reel or bag
Use With: [5559](#), [42475](#) and [30068](#) housings

Electrical

Voltage: 600V

Current:

Standard—9.0A max.

HCS—12.0A max.

Contact Resistance: 10mΩ max.

Dielectric Withstanding Voltage: 1500V

Insulation Resistance: 1000 MΩ min.

Mechanical

Contact Insertion Force: 1.5kg max.

Contact Retention to Housing: 3.0kg min.

Wire Pull-Out Force: 9.0kg min.

Insertion Force to PCB: 5.0kg max.

Mating Force: 0.7kg (1.54 lb) max.

Unmating Force: 0.35kg (0.7 lb) min.

Normal Force: 200g min.

Durability: 30 cycles

Physical

Contact: 5558—Brass or Phosphor Bronze

44478—High Copper Alloy

Plating: See Table

Operating Temperature: -40 to +105°C

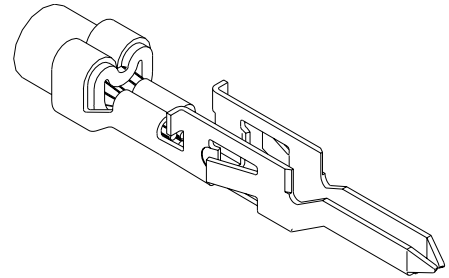
Strip Length: 3.0 (.118) to 3.5mm (.138") max.



4.20mm (.165") Pitch Mini-Fit™ Family Terminal

5558/44478

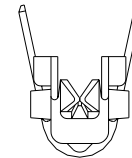
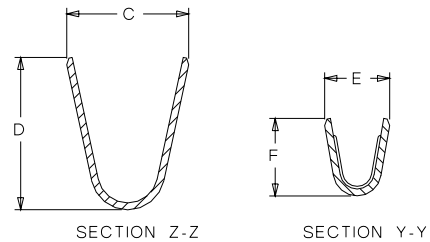
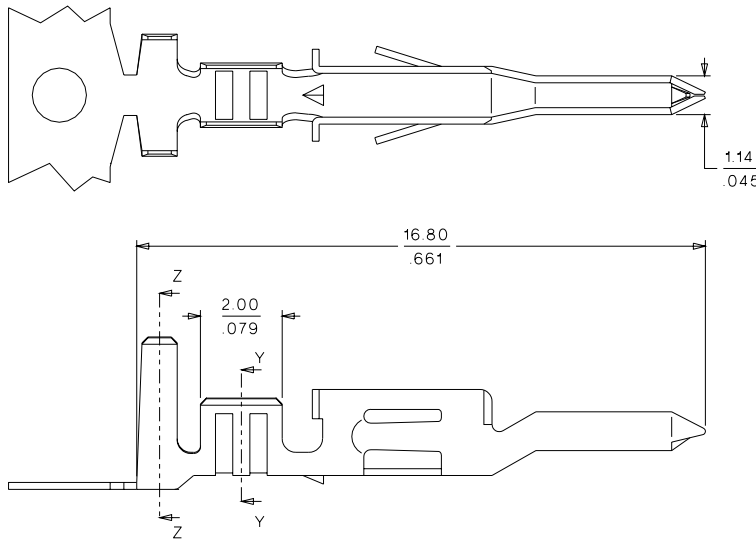
Crimp, Male



Power Connectors

F

CATALOG DRAWING (FOR REFERENCE ONLY)



ORDERING INFORMATION AND DIMENSIONS

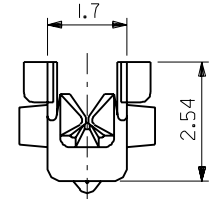
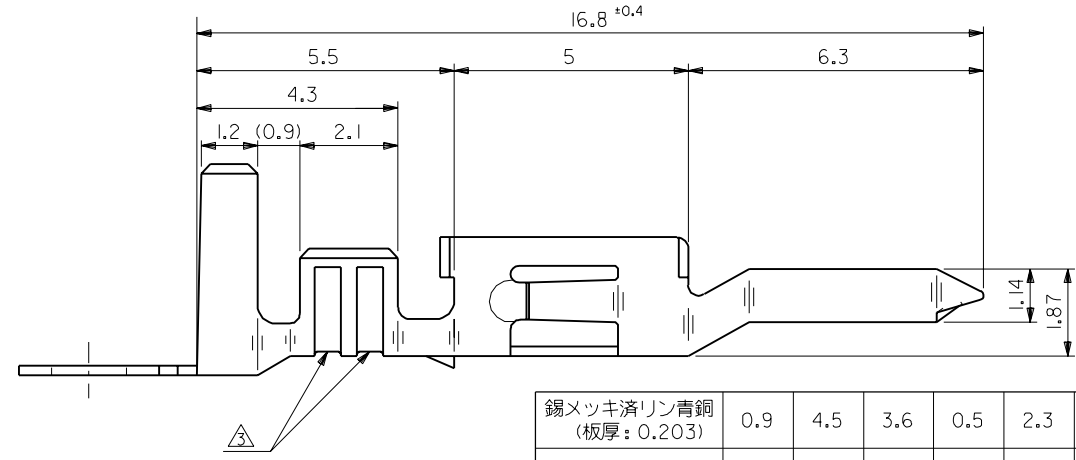
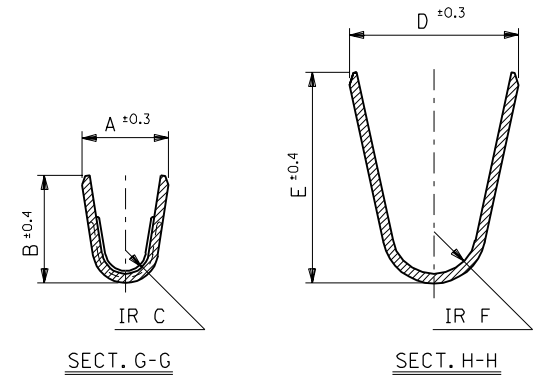
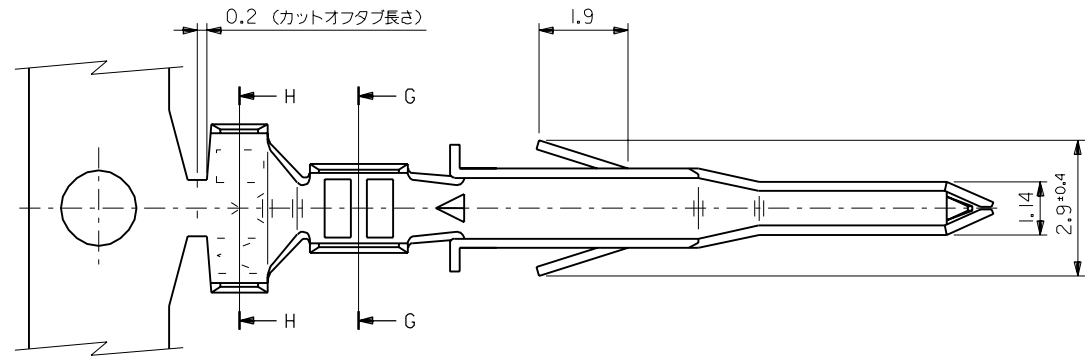
Plating	Wire Size (AWG)	Order No. 5558		Order No. 44478		Dimension			
		Reel	Bag	Reel	Bag	C	D	E	F
Brass (Pre-plated Tin over Copper)	16	• 39-00-0081	• 39-00-0082			3.60 (.142)	4.50 (.177)	2.30 (.091)	2.70 (.106)
	18-24	• 39-00-0040	• 39-00-0041			3.60 (.142)	4.50 (.177)	1.90 (.075)	2.30 (.091)
	22-28	• 39-00-0048	• 39-00-0049			2.30 (.091)	2.30 (.091)	1.80 (.071)	1.65 (.065)
Brass (Pre-plated Gold over Nickel)	16					3.60 (.142)	4.50 (.177)	2.30 (.091)	2.70 (.106)
	18-24					3.60 (.142)	4.50 (.177)	1.90 (.075)	2.30 (.091)
	22-28					2.30 (.091)	2.30 (.091)	1.80 (.071)	1.65 (.065)
Brass* or Copper† (Post-plated Tin over Nickel)	16	• 39-00-0124*	• 39-00-0125*	44478-3111	44478-3112	3.60 (.142)	4.50 (.177)	2.30 (.091)	2.70 (.106)
	18-24	• 39-00-0120*	• 39-00-0121*			3.60 (.142)	4.50 (.177)	1.90 (.075)	2.30 (.091)
	22-28	• 39-00-0122*	• 39-00-0123*	44478-1111‡	44478-1112‡	2.30 (.091)	2.30 (.091)	1.80 (.071)	1.65 (.065)
Brass (Post-plated Gold over Nickel)	16	• 39-00-0095	• 39-00-0096			3.60 (.142)	4.50 (.177)	2.30 (.091)	2.70 (.106)
	18-24	• 39-00-0053	• 39-00-0054			3.60 (.142)	4.50 (.177)	1.90 (.075)	2.30 (.091)
	22-28	• 39-00-0087	• 39-00-0088			2.30 (.091)	2.30 (.091)	1.80 (.071)	1.65 (.065)
Phosphor Bronze (Pre-plated Tin)	16	• 39-00-0083	• 39-00-0084			3.60 (.142)	4.50 (.177)	2.30 (.091)	2.70 (.106)
	18-24	• 39-00-0061	• 39-00-0062			3.60 (.142)	4.50 (.177)	1.90 (.075)	2.30 (.091)
	22-28	• 39-00-0067	• 39-00-0068			2.30 (.091)	2.30 (.091)	1.80 (.071)	1.65 (.065)
Phosphor Bronze (Pre-plated Gold over Nickel)	16					3.60 (.142)	4.50 (.177)	2.30 (.091)	2.70 (.106)
	18-24					3.60 (.142)	4.50 (.177)	1.90 (.075)	2.30 (.091)
	22-28					2.30 (.091)	2.30 (.091)	1.80 (.071)	1.65 (.065)
Phosphor Bronze (Post-plated Tin over Nickel)	16	• 39-00-0130	• 39-00-0131			3.60 (.142)	4.50 (.177)	2.30 (.091)	2.70 (.106)
	18-24	• 39-00-0126	• 39-00-0127			3.60 (.142)	4.50 (.177)	1.90 (.075)	2.30 (.091)
	22-28	• 39-00-0128	• 39-00-0129			2.30 (.091)	2.30 (.091)	1.80 (.071)	1.65 (.065)
Phosphor Bronze (Post-plated Gold over Nickel)	16	• 39-00-0223	• 39-00-0224			3.60 (.142)	4.50 (.177)	2.30 (.091)	2.70 (.106)
	18-24	• 39-00-0219	• 39-00-0220			3.60 (.142)	4.50 (.177)	1.90 (.075)	2.30 (.091)
	22-28	• 39-00-0221	• 39-00-0222			2.30 (.091)	2.30 (.091)	1.80 (.071)	1.65 (.065)

* US Standard Product, available through Molex franchised distributors

‡ 18-20 AWG

EDP NO. 39-00-00**
 ENG. NO. SD-5558****

MM DIMENSIONS IN METRIC DO NOT SCALE DRAWING



錫メッキ済リン青銅 (板厚: 0.203)	0.9	4.5	3.6	0.5	2.3	1.9	∅ 1.3-3.1	# 18-24	39-00-0062	5558 PBTL	バラ状
錫メッキ済黄銅 (板厚: 0.203)	0.6	2.3	2.3	0.4	1.65	1.8	∅ 0.9-1.8	# 22-28	-0061	PBT	連鎖状
	0.9	4.5	3.6	0.5	2.3	1.9	∅ 1.3-3.1	# 18-24	-0049	T2L	バラ状
									-0048	T2	連鎖状
39-00-0040	5558 T	バラ状									
材料	F	E	D	C	B	A	被覆外径	適用電線	EDP NO.	ENG. NO.	端子形状

注記

- 適合ハウジング : 5559 シリーズ
 - 嵌合相手 : 5556 シリーズ
- △ 適用電線が # 22-28 の製品のセレーション数は 1 とする。

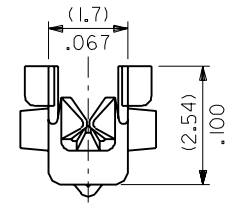
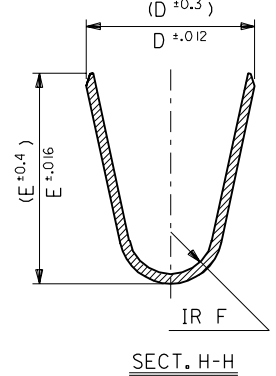
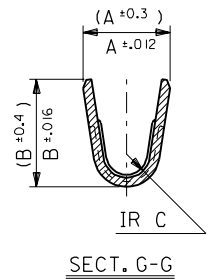
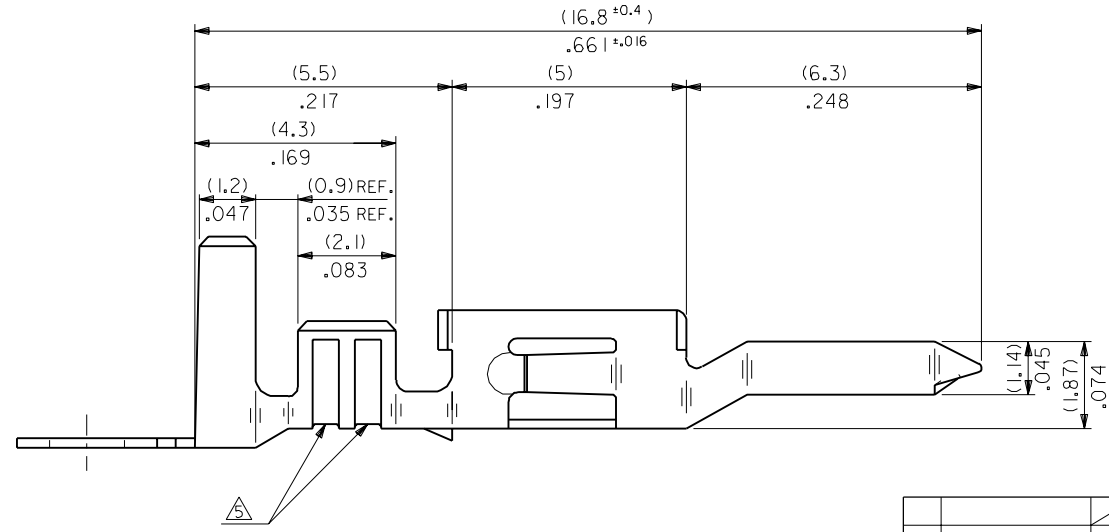
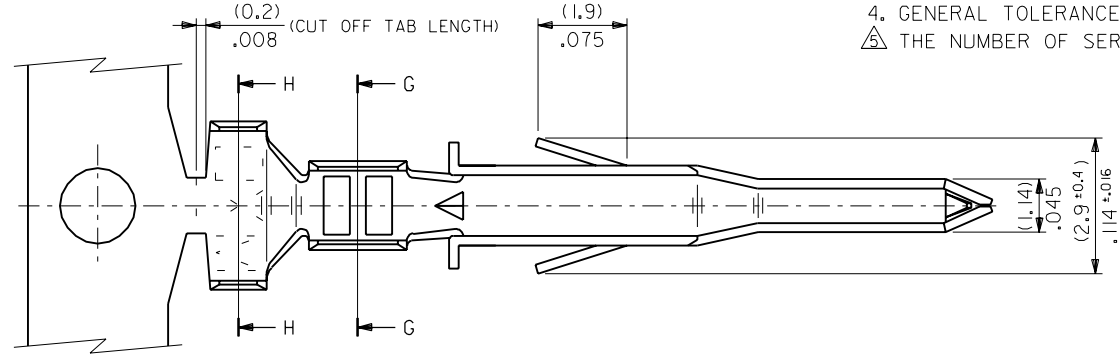
角度 ANGLE	±3°	F 変更 (JC80619)	Y.K S.K '98/5/6	仕上げ FINISH	—	材料 MATERIAL	表参照	MOLEX-JAPAN CO.,LTD. 日本モレックス株式会社
30 以上 OVER	+0.3	E 変更 (J10380)	H.H S.K '91/5/21	適用電線範囲 WIRE RANGE	表参照	EDP. NO.	39-00-00**	
10 以上 30 未満 OVER UNDER	+0.25	D 変更&再作図 (J10261)	H.H Y.y '91/4/12	被覆外径 INS. RANGE	表参照	ENG. NO.	SD-5558****	REV G
10 未満 UNDER	+0.2	記号 LTR 変更内容 REVISION RECORD	DR. CHK. 日付 DATE	DRAWN BY '91/4/5 H.HIRAMOTO	CHK'D BY '98/7/7 K.T S.KUNISHI	TITLE 名称	NEW MINI. FIT CONN. CRIMP PIN	
一般公差 GENERAL TOLERANCES		REVISE ONLY ON CAD SYSTEM			APP'D BY '98/7/7 M.FUKUSHIMA	尺度 SCALE	10 - 1	

THIS DRAWING CONTAINS INFORMATION THAT IS PROPRIETARY TO MOLEX(JAPAN) AND SHOULD NOT BE USED WITHOUT WRITTEN PERMISSION
 本図面は日本モレックス(株)の所有する情報を含むもので 当社の許可なく複製を禁止する。

8 7 6 5 4 3 2 1

NOTES

1. APPLICABLE HOUSING : 5559 SERIES
2. MATES WITH TERMINAL : 5556 SERIES
3. (METRIC) VALUES SHOWN GOVERN OVER ENGLISH CONVERSION VALUES.
4. GENERAL TOLERANCES OF ENGLISH CONVERSION VALUES : ±.008 INCH
5. THE NUMBER OF SERRATIONS TO BE ONE FOR WIRE RANGE #22-28.



材料 MATERIAL		SEE SHEET 2 OF 2	moLEX MOLEX-JAPAN CO.,LTD. 日本モレックス株式会社	
K	REVISED (JC90012)	Y.K S.K '98/7/6	仕上げ FINISH	SEE SHEET 2 OF 2
J	REVISED (JC80619)	Y.K S.K '98/5/6	適用電線範囲 WIRE RANGE	SEE SHEET 2 OF 2
H	REVISED (J20428)	H.H Y.Y '92/5/20	被覆外径 INS. RANGE	SEE SHEET 2 OF 2
G	REVISED (J10381)	H.H Y.Y '91/6/25	DRAWN BY '91/3/12	CHK'D BY '98/7/17
F	REVISED & REDRAWN (J10202)	H.H Y.Y '91/4/27	H.HIRAMOTO	K.T. S.KUNISHI
記号 LTR 変更内容 REVISION RECORD		DR. CHK. DATE	APP'D BY '98/7/17	尺度 SCALE 10 - 1
角度 ANGLE		±3°	TITLE 名称 NEW MINI. FIT CONN. CRIMP PIN	
30 以上 OVER		+0.3	EDP. NO. SEE SHEET 2 OF 2	
10 以上 30 未満 UNDER		+0.25	ENG. NO. SHEET 1 OF 2 REV	
10 未満 UNDER		+0.2	SD-5558***** K	
一般公差 GENERAL TOLERANCES				

THIS DRAWING CONTAINS INFORMATION THAT IS PROPRIETARY TO MOLEX(JAPAN) AND SHOULD NOT BE USED WITHOUT WRITTEN PERMISSION
本図面は日本モレックス(株)の所有する情報を含むもので 当社の許可なく複製を禁止する。

ENG. NO SD-5558*****

EDP NO. SEE CHART

MM DIMENSIONS IN METRIC DO NOT SCALE DRAWING

8 7 6 5 4 3 2 1

F


E

D

C

B

TIN PLATED PHOSPHOR BRONZE	(0.9) .035	(4.5) .177	(3.6) .142	(0.6) .024	(2.7) .106	(2.3) .091	∅ (3.1) .122 MAX.	# 16	39-00-0084	5558 PBT3L	LOOSE
	(0.6) .024	(2.3) .091	(2.3) .091	(0.4) .016	(1.65) .065	(1.8) .071	∅ (0.9-1.8) .035-.071	#22-28	-0083	PBT3	CHAIN
	(0.9) .035	(4.5) .177	(3.6) .142	(0.5) .020	(2.3) .091	(1.9) .075	∅ (1.3-3.1) .051-.122	# 18-24	-0068	PBT2L	LOOSE
TIN OVER COPPER PLATED BRASS	(0.6) .024	(2.3) .091	(2.3) .091	(0.4) .016	(1.65) .065	(1.8) .071	∅ (0.9-1.8) .035-.071	#22-28	-0067	PBT2	CHAIN
	(0.9) .035	(4.5) .177	(3.6) .142	(0.5) .020	(2.3) .091	(1.9) .075	∅ (1.3-3.1) .051-.122	# 18-24	-0062	PBTL	LOOSE
	(0.9) .035	(4.5) .177	(3.6) .142	(0.6) .024	(2.7) .106	(2.3) .091	∅ (3.1) .122 MAX.	# 16	-0061	PBT	CHAIN
MATERIAL	F	E	D	C	B	A	INS. RANGE	WIRE RANGE	EDP NO.	ENG. NO.	FORM

材料 MATERIAL	SEE CHART	 MOLEX-JAPAN CO.,LTD. 日本モレックス株式会社
THICKNESS : (0.203)/.008	SEE CHART	
仕上げ FINISH	SEE CHART	EDP. NO.
適用電線範囲 WIRE RANGE	SEE CHART	SEE CHART
被覆外径 INS. RANGE	SEE CHART	ENG. NO. SHEET 2 OF 2 REV
DRAWN BY 9/3/02 H.HIRAMOTO	CHK'D BY 9/7/02 K.T.S.KUNISHI	SD-5558**** K
APPR'D BY 9/7/02 M.FUKUSHIMA	尺度 SCALE 10 - 1	TITLE 名称 NEW MINI. FIT CONN. CRIMP PIN
記号 LTR	変更内容 REVISION RECORD	
DR. CHK.	日付 DATE	
REVISION ONLY ON CAD SYSTEM		

角度 ANGLE	+3°
30 以上 OVER	+0.3
10 以上 30 未満 OVER UNDER	+0.25
10 未満 UNDER	+0.2
一般公差 GENERAL TOLERANCES	

THIS DRAWING CONTAINS INFORMATION THAT IS PROPRIETARY TO MOLEX(JAPAN) AND SHOULD NOT BE USED WITHOUT WRITTEN PERMISSION
 本図面は日本モレックス(株)の所有する情報を含むので 当社の許可なく複製を禁止する。 MXJ-8

5558.S32 A