

- English
- Español
- Français
- Italiano
- Deutsch
- Português
- По Русски
- 中文显示
- 日本語
- 한국어



Datasheet Application Tooling

[[Home](#) > [Products](#) > [Tooling](#) > [Datasheet](#)]

63811-1000

Hand Crimper - DISTRIBUTION ONLY

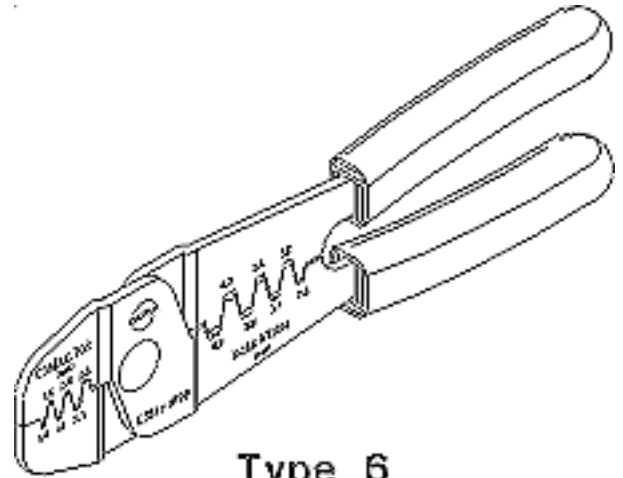
View all parts in series
63811

E-mail this page

Samples

Buy

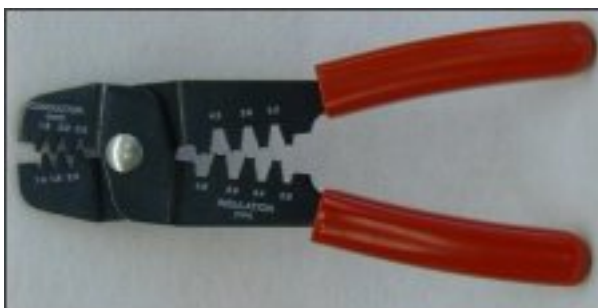
Status	Active
Access Level	Internet
Region	Americas
Level of Automation	Manual
Function	Crimp
Tool Type	Handtool
Wire Size [AWG]	24, 22, 20, 18, 16, 14
Wire Size [mm ²]	0.20 - 2.00
Wire Insulation Diameter	0.76-4.06mm (.030-.160")
Wire Strip Length	3.96-5.54mm (.156-.218")
Comment	DISTRIBUTION ONLY
More Detailed Technical Information	applicationtooling@molex.com
Survey	Tooling Satisfaction
Molex Series	63811
Product Management	Grenke, Bob
Lab Office	UAT



Type 6

Features and Benefits

- Inexpensive crimp tool for open barrel terminals
- Accepts wire range of 14-24 AWG
- Accepts material thickness of 0.15-0.40mm and conductor barrel length of 2.00-3.50mm
- Small handle spread design
- Insulated handles
- Ideal for field repair and prototyping
- Available in custom packaging for customer resale



Related Products

CRIMP TERMINALS	
Product Number	Description
02-06-1101	1.57mm (.062") Diameter, Standard .062" Pin and Socket Crimp Terminal, Female, with Tin (Sn) Plated Brass Contact, 18-24 AWG, Reel
02-06-1103	1.57mm (.062") Diameter, Standard .062" Pin and Socket Crimp Terminal, Female, with Tin (Sn) Plated Brass Contact, 18-24 AWG, Bag
02-06-1131	1.57mm (.062") Diameter, Standard .062" Pin and Socket Crimp Terminal, Series 1855, Female, with Tin (Sn) Plated Brass Contact, 24-30 AWG, Reel
02-06-1132	1.57mm (.062") Diameter, Standard .062" Pin and Socket Crimp Terminal, Series 1855, Female, with Tin (Sn) Plated Brass Contact, 24-30 AWG, Bag
02-06-2101	1.57mm (.062") Diameter, Standard .062" Pin and Socket Crimp Terminal, Series 1560, Male, with Tin (Sn) Plated Brass Contact, 18-24 AWG, Reel
02-06-2103	1.57mm (.062") Diameter, Standard .062" Pin and Socket Crimp Terminal, Series 1560, Male, with Tin (Sn) Plated Brass Contact, 18-24 AWG, Bag
02-06-2131	1.57mm (.062") Diameter, Standard .062" Pin and Socket Crimp Terminal, Series 1854, Male, with Tin (Sn) Plated Brass Contact, 24-30 AWG, Reel
02-06-2132	1.57mm (.062") Diameter, Standard .062" Pin and Socket Crimp Terminal, Series 1854, Male, with Tin (Sn) Plated Brass Contact, 24-30 AWG, Bag
02-06-5100	1.57mm (.062") Diameter, Standard .062" Pin and Socket Crimp Terminal, Female, with 0.38µm (15µ") Gold (Au) Plated Brass Contact, 18-24 AWG, Reel
02-06-5101	1.57mm (.062") Diameter, Standard .062" Pin and Socket Crimp Terminal, Female, with 0.76µm (30µ") Gold (Au) Plated Brass Contact, 18-24 AWG, Reel
02-06-5102	1.57mm (.062") Diameter, Standard .062" Pin and Socket Crimp Terminal, Female, with 0.76µm (30µ") Gold (Au) Plated Brass Contact, 18-24 AWG, Bag
02-06-5103	1.57mm (.062") Diameter, Standard .062" Pin and Socket Crimp Terminal, Female, with 0.38µm (15µ") Gold (Au) Plated Brass Contact, 18-24 AWG, Bag
02-06-5108	1.57mm (.062") Diameter, Standard .062" Pin and Socket Crimp Terminal, Female, with Selective Gold (Au) Plated Brass Contact, 18-24 AWG, Reel
02-06-5109	1.57mm (.062") Diameter, Standard .062" Pin and Socket Crimp Terminal, Female, with Selective Gold (Au) Plated Brass Contact, 18-24 AWG, Bag
02-06-5130	1.57mm (.062") Diameter, Standard .062" Pin and Socket Crimp Terminal, Series 1855, Female, with 0.38µm (15µ") Gold (Au) Plated Brass Contact, 24-30 AWG, Reel
02-06-5135	1.57mm (.062") Diameter, Standard .062" Pin and Socket Crimp Terminal, Series 1855, Female, with 0.38µm (15µ") Gold (Au) Plated Brass Contact, 24-30 AWG, Bag
02-06-5138	1.57mm (.062") Diameter, Standard .062" Pin and Socket Crimp Terminal, Series 1855, Female, with 0.76µm (30µ") Gold (Au) Plated Brass Contact, 24-30 AWG, Reel
02-06-5139	1.57mm (.062") Diameter, Standard .062" Pin and Socket Crimp Terminal, Series 1855, Female, with 0.76µm (30µ") Gold (Au) Plated Brass Contact, 24-30 AWG, Bag
02-06-5147	1.57mm (.062") Diameter, Standard .062" Pin and Socket Crimp Terminal, Series 1855, Female, with Selective Gold (Au) Plated Brass Contact, 24-30 AWG, Reel
02-06-5148	1.57mm (.062") Diameter, Standard .062" Pin and Socket Crimp Terminal, Series 1855, Female, with Selective Gold (Au) Plated Brass Contact, 24-30 AWG, Bag
02-06-6100	1.57mm (.062") Diameter, Standard .062" Pin and Socket Crimp Terminal, Series 1560, Male, with Gold (Au) Plated Brass Contact, 18-24 AWG, Reel
02-06-6101	1.57mm (.062") Diameter, Standard .062" Pin and Socket Crimp Terminal, Series 1560, Male, with .76µm (30µ") Selective Gold (Au) Plated Brass Contact, 18-24 AWG, Reel Packaged
02-06-6102	1.57mm (.062") Diameter, Standard .062" Pin and Socket Crimp Terminal, Series 1560, Male, with .76µm (30µ") Selective Gold (Au) Plated Brass Contact, 18-24 AWG, Bag Packaged
02-06-6103	1.57mm (.062") Diameter, Standard .062" Pin and Socket Crimp Terminal, Series 1560, Male, with Gold (Au) Plated Brass Contact, 18-24 AWG, Bag
02-06-6118	1.57mm (.062") Diameter, Standard .062" Pin and Socket Crimp Terminal, Series 1560, Male, with Selective Gold (Au) Plated Brass Contact, Tin/Lead Plated Crimp Area, 18-24 AWG, Reel

02-06-6119	1.57mm (.062") Diameter, Standard .062" Pin and Socket Crimp Terminal, Series 1560, Male, with Selective Gold (Au) Plated Brass Contact, Tin/Lead Plated Crimp Area, 18-24 AWG, Bag
02-06-6130	1.57mm (.062") Diameter, Standard .062" Pin and Socket Crimp Terminal, Series 1854, Male, with Gold (Au) Plated Brass Contact, 24-30 AWG, Reel
02-06-6135	1.57mm (.062") Diameter, Standard .062" Pin and Socket Crimp Terminal, Series 1854, Male, with Gold (Au) Plated Brass Contact, 24-30 AWG, Bag
02-06-6138	1.57mm (.062") Diameter, Standard .062" Pin and Socket Crimp Terminal, Series 1854, Male, with Selective Gold (Au) Plated Brass Contact, 24-30 AWG, Reel
02-06-6139	1.57mm (.062") Diameter, Standard .062" Pin and Socket Crimp Terminal, Series 1854, Male, with Selective Gold (Au) Plated Brass Contact, 24-30 AWG, Bag
02-06-6143	1.57mm (.062") Diameter, Standard .062" Pin and Socket Crimp Terminal, Series 1854, Male, with Selective Gold (Au) Plated Brass Contact, Tin (Sn) Plated Crimp Area, 24-30 AWG, Reel
02-06-6144	1.57mm (.062") Diameter, Standard .062" Pin and Socket Crimp Terminal, Series 1854, Male, with Selective Gold (Au) Plated Brass Contact, Tin (Sn) Plated Crimp Area, 24-30 AWG, Bag
02-09-1102	2.36mm (.093") Diameter, Standard .093" Pin and Socket Crimp Terminal, Series 1189, Female, with Tin (Sn) Plated Brass Contact, 14-20 AWG, Reel
02-09-1104	2.36mm (.093") Diameter, Standard .093" Pin and Socket Crimp Terminal, Series 1189, Female, with Tin (Sn) Plated Brass Contact, 14-20 AWG, Bag
02-09-1142	2.36mm (.093") Diameter, Standard .093" Pin and Socket Crimp Terminal, Series 1433, Female, with Tin (Sn) Plated Brass Contact, 24-30 AWG, Reel
02-09-1144	2.36mm (.093") Diameter, Standard .093" Pin and Socket Crimp Terminal, Series 1433, Female, with Tin (Sn) Plated Brass Contact, 24-30 AWG, Bag
02-09-2101	2.36mm (.093") Diameter, Standard .093" Pin and Socket Crimp Terminal, Series 1190, Male, with Tin (Sn) Plated Brass Contact, 14-20 AWG, Reel
02-09-2103	2.36mm (.093") Diameter, Standard .093" Pin and Socket Crimp Terminal, Series 1190, Male, with Tin (Sn) Plated Brass Contact, 14-20 AWG, Bag
02-09-2141	2.36mm (.093") Diameter, Standard .093" Pin and Socket Crimp Terminal, Series 1434, Male, with Tin (Sn) Plated Brass Contact, 24-30 AWG, Reel
02-09-2143	2.36mm (.093") Diameter, Standard .093" Pin and Socket Crimp Terminal, Series 1434, Male, with Tin (Sn) Plated Brass Contact, 24-30 AWG, Bag
02-09-5100	2.36mm (.093") Diameter, Standard .093" Pin and Socket Crimp Terminal, Series 1189, Female, with Gold (Au) Plated Brass Contact, 14-20 AWG, Reel
02-09-5102	2.36mm (.093") Diameter, Standard .093" Pin and Socket Crimp Terminal, Series 1189, Female, with Selective Gold (Au) Plated Brass Contact, 14-20 AWG, Reel
02-09-5106	2.36mm (.093") Diameter, Standard .093" Pin and Socket Crimp Terminal, Series 1189, Female, with Gold (Au) Plated Brass Contact, 14-20 AWG, Bag
02-09-5111	2.36mm (.093") Diameter, Standard .093" Pin and Socket Crimp Terminal, Series 1189, Female, with Selective Gold (Au) Plated Brass Contact, 14-20 AWG, Bag
02-09-5146	2.36mm (.093") Diameter, Standard .093" Pin and Socket Crimp Terminal, Series 1433, Female, with Gold (Au) Plated Brass Contact, 24-30 AWG, Reel
02-09-5147	2.36mm (.093") Diameter, Standard .093" Pin and Socket Crimp Terminal, Series 1433, Female, with Gold (Au) Plated Brass Contact, 24-30 AWG, Bag
02-09-6100	2.36mm (.093") Diameter, Standard .093" Pin and Socket Crimp Terminal, Series 1190, Male, with Gold (Au) Plated Brass Contact, 14-20 AWG, Reel
02-09-6101	2.36mm (.093") Diameter, Standard .093" Pin and Socket Crimp Terminal, Series 1190, Male, with Selective Gold (Au) Plated Brass Contact, 14-20 AWG, Reel
02-09-6106	2.36mm (.093") Diameter, Standard .093" Pin and Socket Crimp Terminal, Series 1190, Male, with Gold (Au) Plated Brass Contact, 14-20 AWG, Bag
02-09-6110	2.36mm (.093") Diameter, Standard .093" Pin and Socket Crimp Terminal, Series 1190, Male, with Selective Gold (Au) Plated Brass Contact, 14-20 AWG, Bag
02-09-6144	2.36mm (.093") Diameter, Standard .093" Pin and Socket Crimp Terminal, Series 1434, Male, with Gold (Au) Plated Brass Contact, 24-30 AWG, Reel
02-09-6145	2.36mm (.093") Diameter, Standard .093" Pin and Socket Crimp Terminal, Series 1434, Male, with Gold (Au) Plated Brass Contact, 24-30 AWG, Bag

© Copyright 2005 Molex Incorporated