

Distributed by:

JAMECO[®]
ELECTRONICS

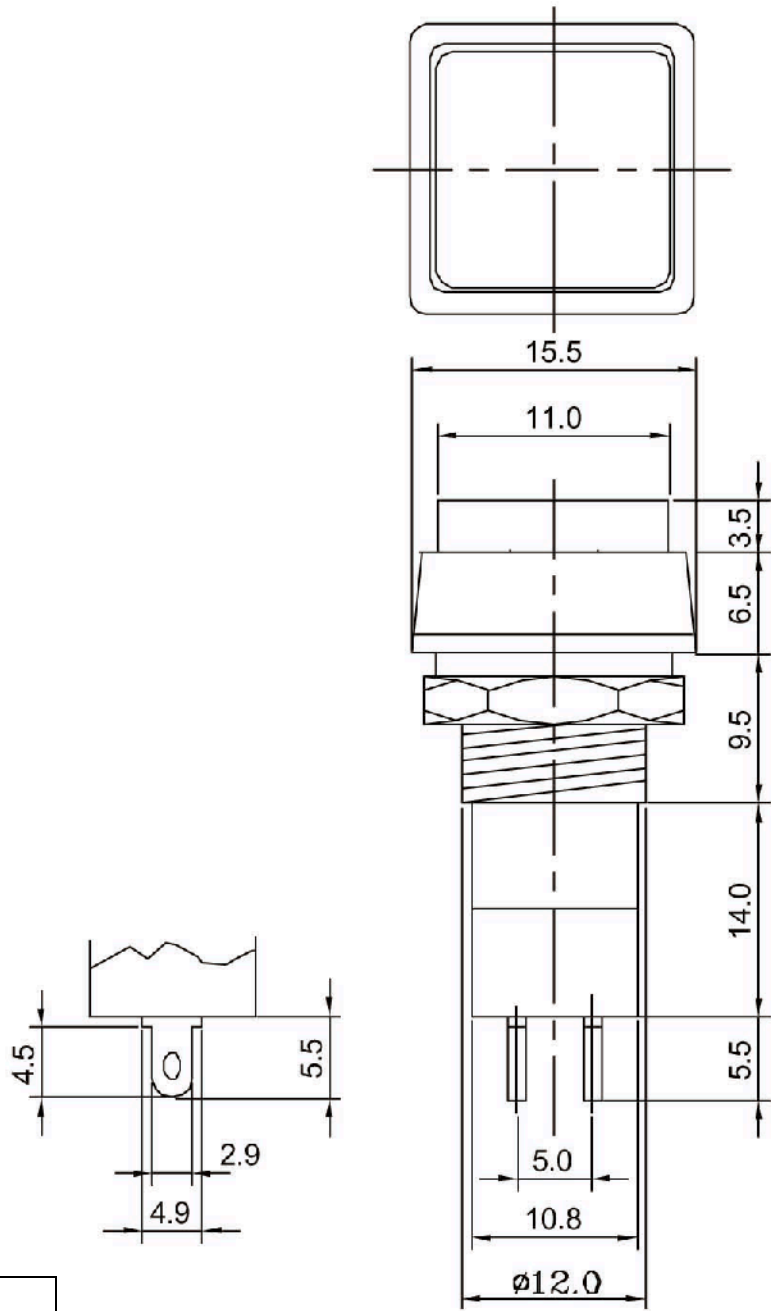
www.Jameco.com ♦ 1-800-831-4242

The content and copyrights of the attached
material are the property of its owner.

Jameco Part Number 315492

Date	Rev.	Description

SPECIFICATIONS



- 1.CIRCUIT: JS-723 A(ON)-OFF B ON -OFF
- 2.RATING: 1A 125VAC
- 3.CONTACT RESISTANCE: 30m Ω Max
- 4.INSULATION RESISTANCE:DC 500V 100M Ω Min
- 5.DIELECTRIC STRENGTH: AC 1000V 1 Minute
- 6.ELECTRICAL LIFE: 5,000 Cycles
- 7.MECHANICAL LIFE: 10,000 Cycles
- 8.TERMINAL MATERIAL: Copper,Alloy,Silver,Plated
- 9.PUSH FORCE: >0.3Kg
- 10.BUTTON COLOR: Red,Yellow,Orange,Black,Green

DCC. NO.
A4 DRAWING NO.

MATERIAL		GOLDSUN ELECTRONICS CO., LTD.	
JAMECO NO. 315492		GOLDSUN NO. JS-723 A,B	
DRWN: Kiki Chen		Description SWITCH	
VERIFY PEOPLE: Ada Zheng , Ivy Lan		Rev. 1	
UNIT: mm	SCALE:	SHEET 1 OF 1	CAS No: ERN No: