

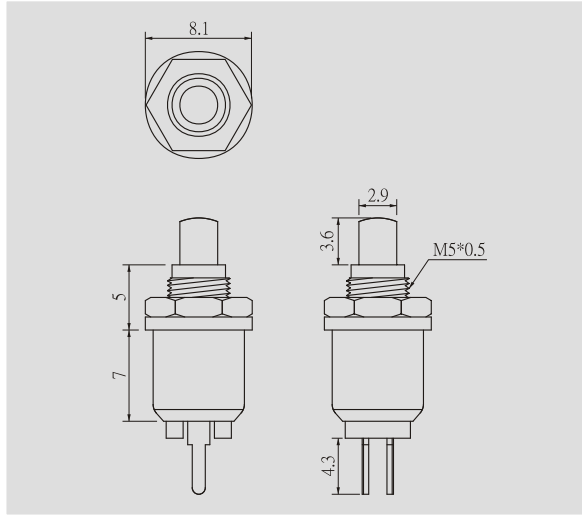
Distributed by:



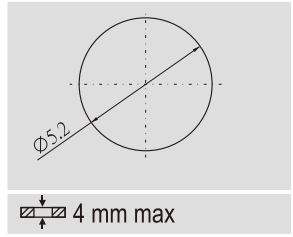
[www.Jameco.com](http://www.Jameco.com) ♦ 1-800-831-4242

The content and copyrights of the attached material are the property of its owner.

# R13-81



<b>Rating</b>
0.5A 125V AC
<b>Contact resistance</b>
50mΩ Max
<b>Insulation resistance</b>
DC 500V 100MΩ Min
<b>Dielectric strength</b>
AC 1500V 1 minute
<b>Cut-out</b>



## FEATURES

\* MATERIAL: Frames are nickel plated brass. Bases are PBT with fiber glass.

## R13-81 ■ - ■ ■

