
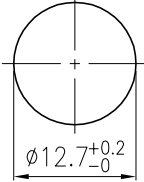
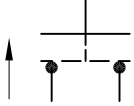
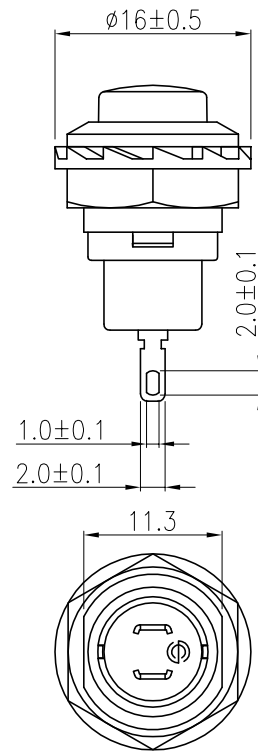
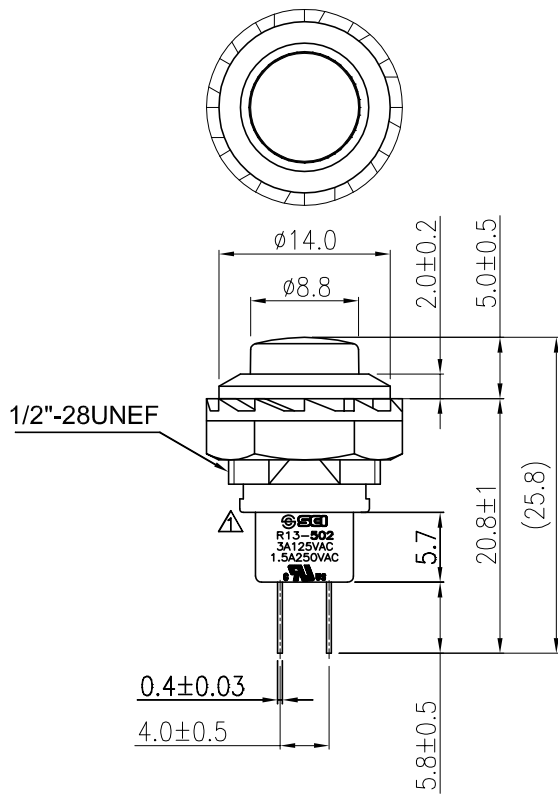


Rating	3A 125V AC, 1.5A 250V AC 	Mounting Hole	Circuit Diagram
Contact Resistance	50m ohm Max.		
Insulation Resistance	DC 500V 100M ohm Min.		
Dielectric Strength	AC 1000V 1 minute		
Switch Function	2P SPST OFF-(ON)		

Material:
Housing: Black, Nylon#66
Button: Red, Nylon#66
Bottom Cover: Black, PBT+30%GF
Terminals: Copper Alloy



Tolerances Unless Otherwise Specified ± 0.3
C8/R13-502/R13-502A-05(1830575)

MATERIAL	GOLDSUN ELECTRONICS CO., LTD.		
	JAMECO NO.	GOLDSUN NO.	
	315660	R13-502A-05	
DRAWN: Colin Hung	Description		Rev.
VERIFY PEOPLE:	SWITCH,PUSHBUTTON,2P SPST,OFF-(ON),RED		1
	UNIT:	SCALE:	CAS No:
	mm		ERN No:
		SHEET 1 OF 1	