

Distributed by:

JAMECO[®]
ELECTRONICS

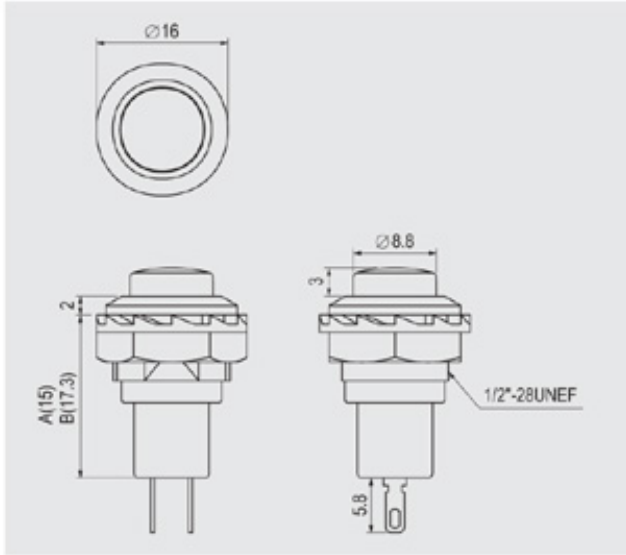
www.Jameco.com ♦ 1-800-831-4242

The content and copyrights of the attached
material are the property of its owner.

Jameco Part Number 315678

* The specification subject to change without notice. "The drawing is for reference only.

R13-502



Rating	3A 125V AC 1.5A 250V AC
Contact resistance	50mΩ Max
Insulation resistance	DC 500V 100MΩ Min
Dielectric strength	AC 1000V 1 minute
Cut-out	3 mm max

FEATURES

- * MATERIAL: Frames are nylon (UL flame: 94V-2). Terminals are silver plated brass.
- * M types are metal frames, nickel plated brass.

R13-502 ■ ■ - ■ ■

BODY	FUNCTION	TERMINAL
■ Plastic Body 	A OFF (ON) 2P SPST	0 5 SO
M Metal Body 	B (OFF) ON 2P SPST	
	C ON (ON) 3P SPDT (Only for R13-502MC)	



ON (ON)
3P SPDT
(Only for R13-502MC)

