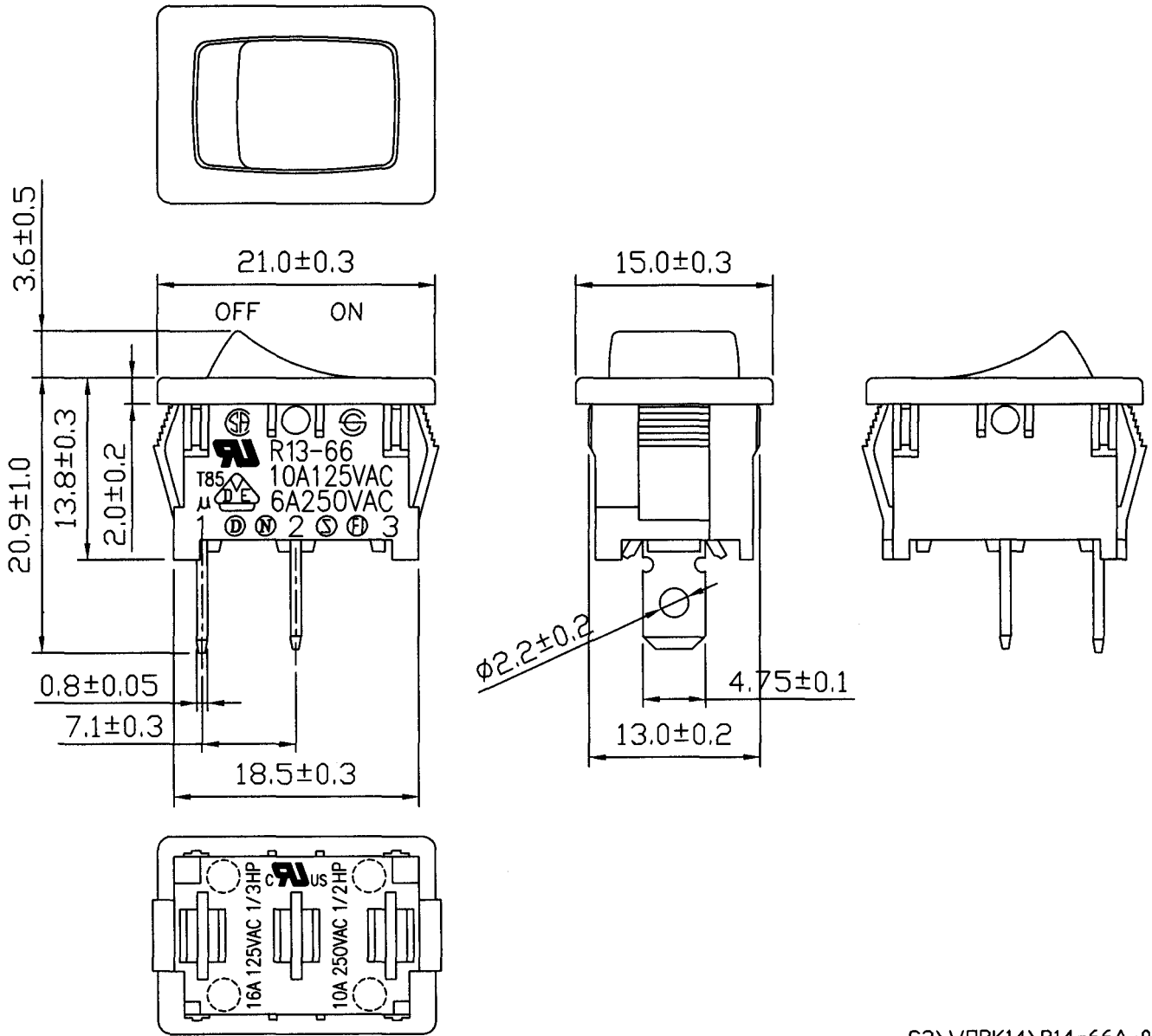


Rating	10A 125V,6A 250V AC	Mount Hole	Circuit Structure	
	16A 125VAC 1/3HP,10A 250VAC 1/2HP			
Contact R	50m ohm Max.			
Insulation R	DC 500V 100M ohm Min.			
Dielectric Strength	AC 1500V 1 minute			
Operation Temperature	-20°C~85°C	Thickness	X	Y
Circuit	2P SPST ON-OFF	0.75...1.25	19.2-0.1	13+0.1
		1.25...2	19.4-0.1	13+0.1
		2...3	19.8-0.1	13+0.1



C3\WORK14\R14-66A-02

MATERIAL	GOLDSUN ELECTRONICS CO., LTD.		
	JAMECO NO.	GOLDSUN NO.	
	316014	R13-66A-B-02-ROHS	
DRAWN: Ivan Wang	Description SWITCH,ROCKER,2P SPST, ON-OFF,BLACK,I-O,		Rev. 1
VERIFY PEOPLE: Jenny	UNIT: mm	SCALE:	CAS No: ERN No:
		SHEET 1 OF 1	