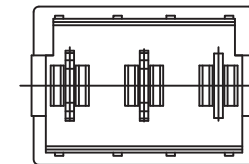
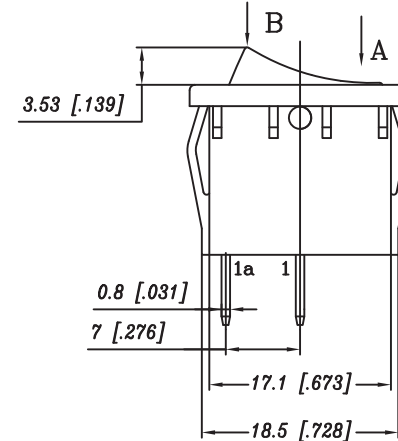
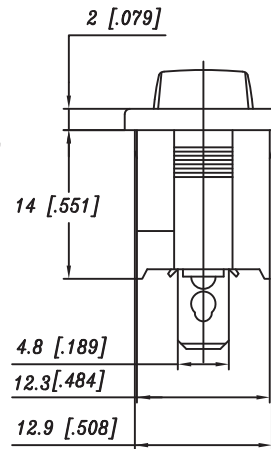
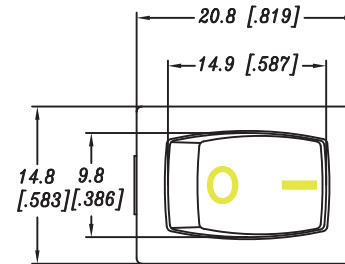


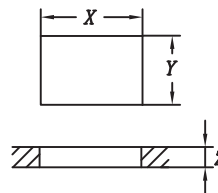
- 1、All dimensions in mm
- 2、General tolerance : X.X=0.4mm
- 3、Electrical rating :8A 250VAC 15A/125VAC
- 4、Contact resistance : < 20mΩ(initial)
- 5、Insulation resistance : > 1000MΩ(500DC between open contacts)
- 6、Dielectric strength : >1500V 1 minute
- 7、Mechanical life : >30000 cycles
- 8、Electrical life : >10000 cycles
- 9、Temperature rise at the terminal : Max.30℃
- 10、Solder ability of terminal : Max350℃,3S(no pressure may be placed in the terminals when soldering by hand)



CIRCUIT SPST

| POLE FUNCTION | OPTIONS OF FUNCTION | | |
|---------------|---------------------|---|-----|
| | A | — | B |
| SPST | 1-1a | — | OFF |

| PANEL OUT-CUT | | |
|------------------------|-------------------------|-------------------------|
| Z | Y | X |
| 0.7~1.25 [.028~.049] | 12.8~12.9 [.504~.508] | 19.2~19.3 [.756~.760] |
| 1.25~2.0 [.049~.079] | 12.8~12.9 [.504~.508] | 19.3~19.4 [.760~.764] |
| 2.0~3.0 [.079~.118] | 12.8~12.9 [.504~.508] | 19.5~19.6 [.768~.772] |



| Color | Housing | Actuator |
|----------------|---------|----------|
| K(Black) | √ | |
| W(White) | | |
| R(Red) | | √ |
| G(Gray) | | |
| O(Orange) | | |
| B(Blue) | | |
| Y(III. Yellow) | | |
| M(III. Green) | | |
| F(III. Blue) | | |
| T(III. White) | | |
| D(III. Red) | | |

GOLDSUN ELECTRONICS CO., LTD.

| | | | |
|-------------|---------------------------------------|--------------|--------------------|
| JAMECO NO. | 316022 | GOLDSUN NO. | RA15KRFT0F |
| Description | SWITCH,ROCKER,2P SPST, ON-OFF,RED,I-O | | Rev. 1 |
| UNIT: mm | SCALE: | SHEET 1 OF 1 | CAS No: ERN No: |

* We keep the right to alter the dimension without notice.