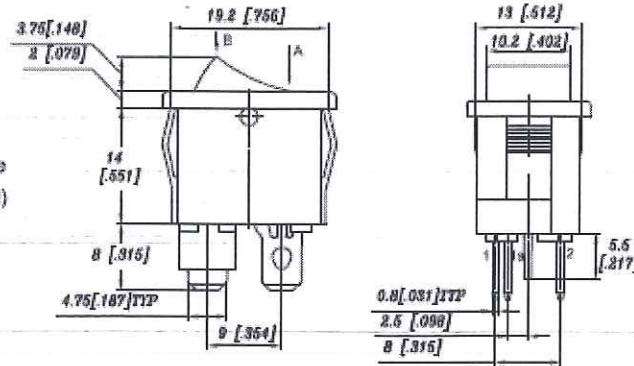
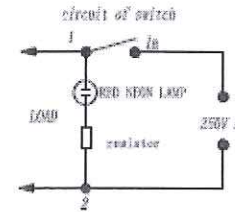
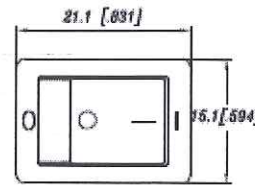
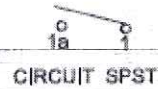


- 1 · All dimensions in mm [Inch]
- 2 · General tolerance : $>10 \pm 0,4$
 $<10 \pm 0,25$
- 3 · Electrical rating : 6A 250VAC & 9A 125VAC(UL)
4(1)A 250V~ (VDE)
- 4 · Contact resistance : $< 20m\Omega$ (Initial)
- 5 · Insulation resistance : $> 1000M\Omega$ (500VDC between open contacts)
- 6 · Dielectric strength : $>1500V$ 1 minute
- 7 · Mechanical life : >30000 cycles
- 8 · Electrical life : >10000 cycles
- 9 · Temperature rise at the terminal : Max.30°C
- 10 · Solder ability of terminal : Max350°C,3S(no pressure may be placed in the terminals when soldering by hand)



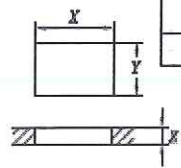
Color	Housing	Actuator
K(Black)	#	
W(White)		
R(Red)		
G(Gray)		
O(Orange)		
B(Blue)		
Y(III, Yellow)		
M(III, Green)		
F(III, Blue)		
T(III, White)		
D(III, Red)		#



POLE FUNCTION	OPTIONS OF FUNCTION		
	A	—	B
SPST	1-1a	—	OFF

●	— ○ =	I ○ II	I II	I ○	— ○	△ ○ ▽	ON	OFF
A	B	C	D	E	F	G	H	I
					#			

PANEL CUT-OUT		
Z	Y	X
0,7-1,25 [0,028-0,049]	12,00-13,10 [0,508-0,515]	15,1-19,2 [0,752-0,756]
1,25-2,0 [0,049-0,079]	12,00-13,10 [0,508-0,515]	15,3-19,4 [0,760-0,764]
2,0-3,0 [0,079-0,118]	12,00-13,10 [0,508-0,515]	19,4-19,6 [0,764-0,772]
3,0-4,0 [0,118-0,157]	12,00-13,10 [0,508-0,515]	19,6-19,8 [0,772-0,780]



* We keep the right to alter the dimension without notice.

Material	GOLDSUN ELECTRONICS CO., LTD	
	JAMECO NO. 316048 & 316128 & 316136	GOLDSUN NO. R922KMFT2FF1 & R922KDFT2NF1 & R922KYFT2NF1
DRAWN: COLIN	DESCRIPTION	REV.
VERIFY PEOPLE: LOBSANG	SCALE: 2:1	