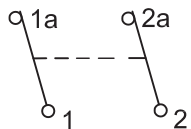
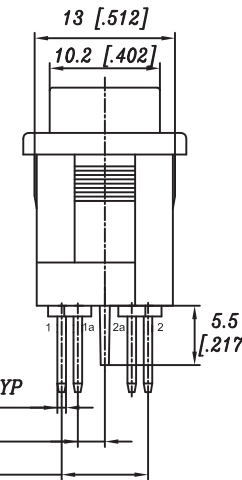
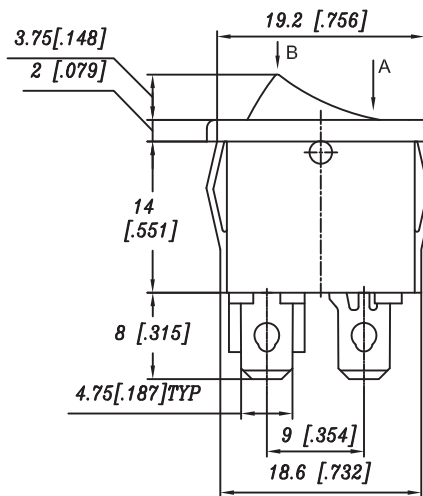
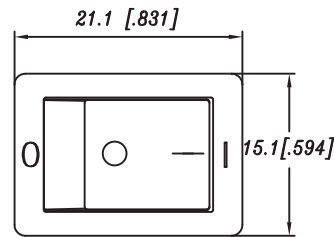


- 1、All dimensions in mm [Inch]
- 2、General tolerance : >10±0.4
<10±0.25
- 3、Electrical rating : 6A 250VAC & 12A 125VAC[UL]
4(1)A/250VAC[VDE.ENEC10]
- 4、Contact resistance : < 20mΩ(initial)
- 5、Insulation resistance : > 1000MΩ(500VDC between open contacts)
- 6、Dielectric strength : >1500V 1 mintue
- 7、Mechanical life : >30000 cycles
- 8、Electrical life : >10000 cycles
- 9、Temperature rise at the terminal : Max.30℃
- 10、Solder ability of terminal : Max350℃,3S(no pressure may be placed in the terminals when soldering by hand)



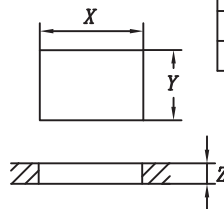
CIRCUIT DPST

Color	Housing	Actuator
K(Black)	✓	✓
W(White)		
R(Red)		
G(Gray)		
O(Orange)		
B(Blue)		
Y(III. Yellow)		
M(III. Green)		
F(III. Blue)		
T(III. White)		
D(III. Red)		

POLE FUNCTION	OPTIONS OF FUNCTION		
	A	—	B
DPST	1-1a 2-2a	—	OFF

A	B	C	D	E	F	G	H	I
					✓			

PANEL CUT-OUT		
Z	Y	X
0.7~1.25 [.028~.049]	12.90~13.10 [.508~.515]	19.1~19.2 [.752~.756]
1.25~2.0 [.049~.079]	12.90~13.10 [.508~.515]	19.3~19.4 [.760~.764]
2.0~3.0 [.079~.118]	12.90~13.10 [.508~.515]	19.4~19.6 [.764~.772]
3.0~4.0 [.118~.157]	12.90~13.10 [.508~.515]	19.6~19.8 [.772~.780]



* We keep the right to alter the dimension without notice.

MATERIAL		GOLDSUN ELECTRONICS CO., LTD.	
		JAMECO NO. 316111	GOLDSUN NO. R9D2KKFT00F1
DRAWN: Colin Hung		Description SWITCH,ROCKER,4P DPST,ON-OFF,BLACK	
VERIFY PEOPLE:		UNIT: mm	SCALE: SHEET 1 OF 1
		CAS No: ERN No:	Rev. 1