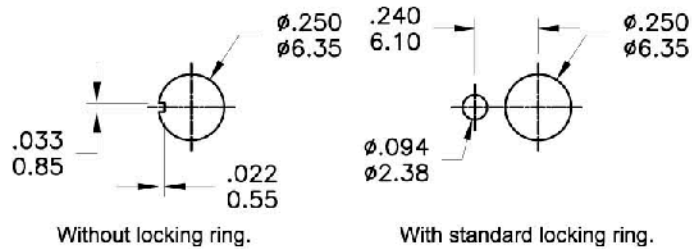
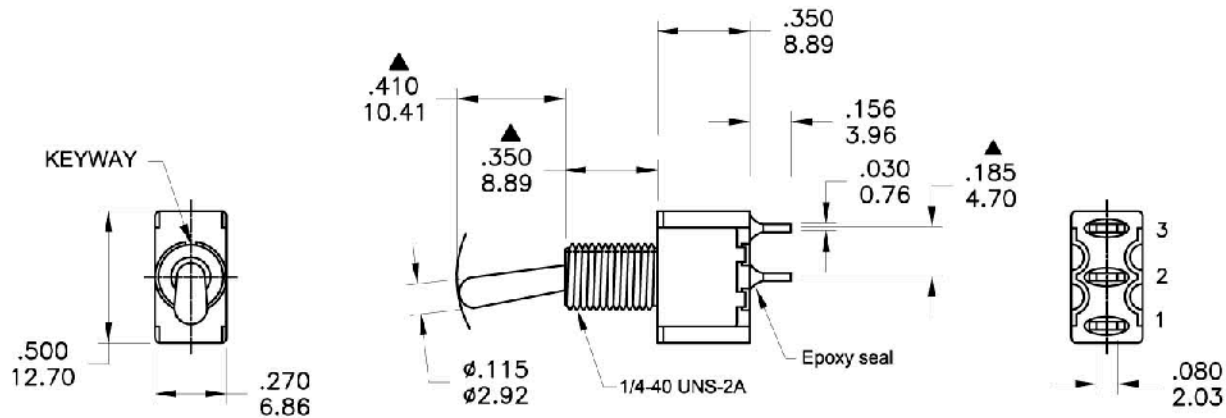
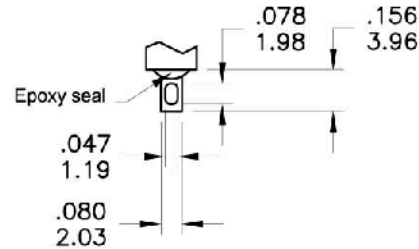


Date	Rev.	Description



PANEL MOUNTING



SOLDER LUG

Model No.	POS.1	POS.2	POS.3
1MS4	ON	NONE	OFF
Term. Comm.	2-3	N/A	OPEN
SCHEMATIC			

SWITCH FUNCTION

SCALE: 3 : 2

TOLERANCE

0.00 mm ± 0.25mm

0.0 mm ± 0.40mm

ANGULAR : ± 2.54 mm

FILE NAME : 1MSP0245

RATING :

R : 0.4 Volt-Amps(VA) max. @20V max.(AC or DC)

Q : 2Amps @250VAC

5Amps @120 VAC or 28 VDC

SPECIFICATIONS

MECHANICAL LIFE: 40,000 make-and-break cycles.

CONTACT RESISTANCE: 10mΩ max. initial @ 2-4VDC
100mA for both silver and gold plated contacts.

INSULATION RESISTANCE: 1,000MΩ min.

DIELECTRIC STRENGTH: 1,000 V RMS@sea level.

OPERATING TEMPERATURE: -30°C to 85°C.

MATERIALS

CASE: Diallyl phthalate (DAP) (UL94v-0).

ACTUATOR: Brass,chrome plated.

BUSHING: Brass,nickel plated.

HOUSING: Stainless Steel.

TERMINAL/CONTACT:Silver or gold plated.

DCC. NO.
A4 DRAWING NO.

MATERIAL	GOLDSUN ELECTRONICS CO., LTD.		
JAMECO NO.	317228	GOLDSUN NO.	1MS9T1B1M1QE
DRWN: Kiki Chen	Description		Rev.
VERIFY PEOPLE: Ada Zheng , Ivy Lan	MINIATURE TOGGLE SWITCHES		1
UNIT: mm	SCALE: 3:2	SHEET 1 OF 1	CAS No: ERN No: