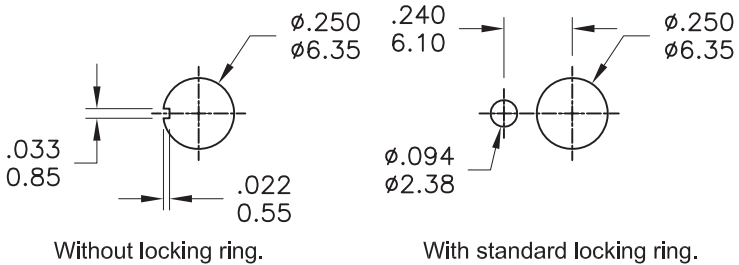
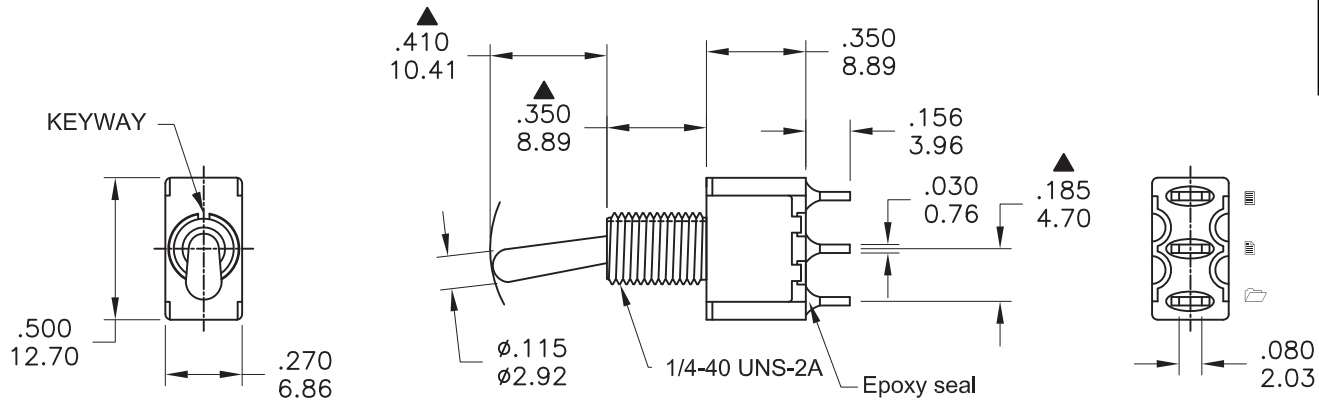
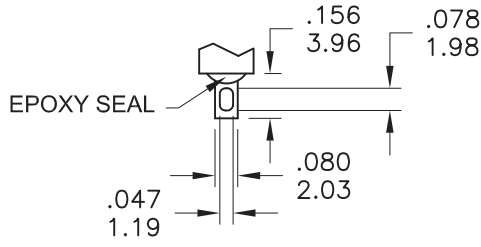


Date	Rev.	Description



PANEL MOUNTING



SOLDER LUG

Model No.	POS.1	POS.2	POS.3
1MS1	ON	-	ON
Term. Comm.	2-3	N/A	2-1
SCHEMATIC		N/A	

SWITCH FUNCTION

SPECIFICATIONS

MECHANICAL LIFE: 40,000 make-and-break cycles.
CONTACT RESISTANCE: 10mΩ max. initial @ 2-4VDC
 100mA for both silver and gold plated contacts.
INSULATION RESISTANCE: 1,000MΩ min.
DIELECTRIC STRENGTH: 1,000 V RMS@sea level.
OPERATING TEMPERATURE: -30φXC to 85φXC.

MATERIALS

CASE: Dially phthalate (DAP) (UL94v-0).
ACTUATOR: Brass,chrome plated.
BUSHING: Brass,nickel plated.
HOUSING: Stainless Steel.
TERMINAL/CONTACT:Silver or gold plated.

RATING :

R : 0.4 Volt-Amps(VA) max. @20V max.(AC or DC)
 Q : 2Amps @250VAC
 5Amps @120 VAC or 28 VDC

DCC. NO.
A4 DRAWING NO.

MATERIAL		GOLDSUN ELECTRONICS CO., LTD.	
JAMECO NO.		GOLDSUN NO.	
317236		1MS1T1B1M1QE	
DRAWN: Colin Hung		DESCRIPTION Toggle Switch (On-On) Single Pole Double Throw Solder Lug 5 Amp 250 Volt AC 28 Volt Panel Mount	
VERIFY PEOPLE: Annie		UNIT: mm	SCALE: SHEET 1 OF 1
		CAS No: ERN No:	Rev. 1