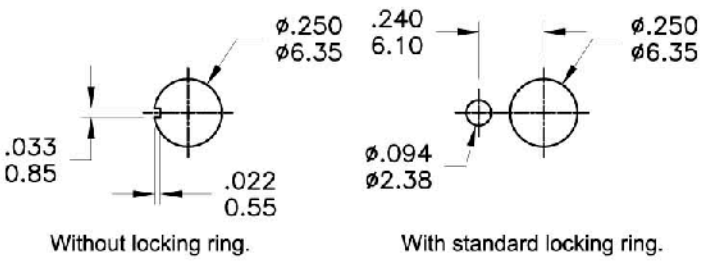
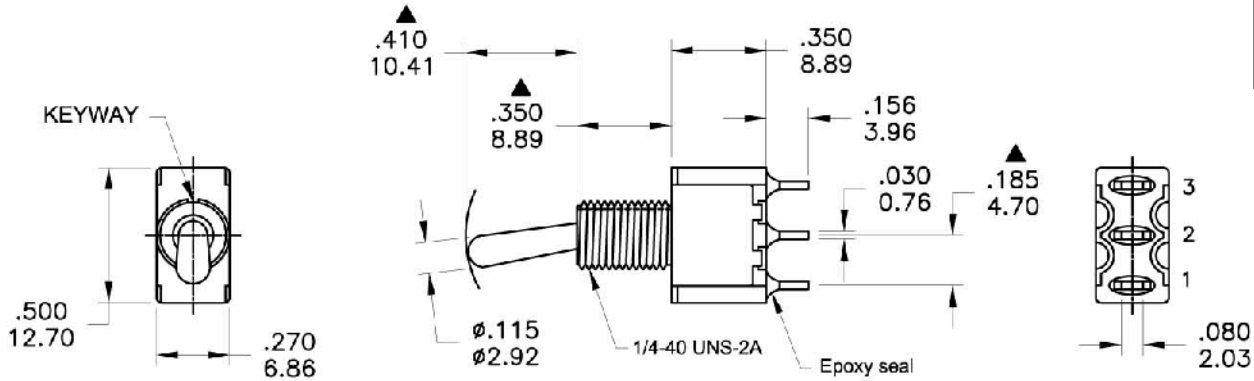
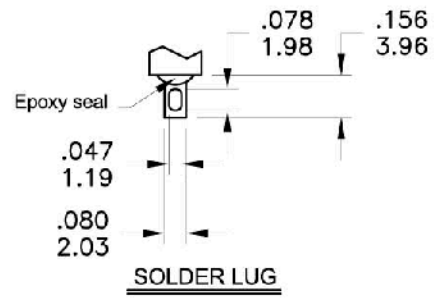


Date	Rev.	Description



**PANEL MOUNTING**



Model No.	POS.1	POS.2	POS.3
1MS3	ON	OFF	ON
Term. Comm.	2-3	OPEN	2-1
SCHEMATIC			

**SWITCH FUNCTION**

**SCALE: 3 : 2**

**TOLERANCE**  
 0.00 mm ± 0.25mm  
 0.0 mm ± 0.40mm  
**ANGULAR :** ± 0.254 mm  
**FILE NAME :** 1MSP0210

**RATING :**  
 R : 0.4 Volt-Amps(VA) max. @20V max.(AC or DC)  
 Q : 2Amps @250VAC  
 5Amps @120 VAC or 28 VDC

**SPECIFICATIONS**  
**MECHANICAL LIFE:** 40,000 make-and-break cycles.  
**CONTACT RESISTANCE:** 10mΩ max. initial @ 2-4VDC  
 100mA for both silver and gold plated contacts.  
**INSULATION RESISTANCE:** 1,000MΩ min.  
**DIELECTRIC STRENGTH:** 1,000 V RMS@sea level.  
**OPERATING TEMPERATURE:** -30°C to 85°C.

**MATERIALS**  
**CASE:** Dially phthalate (DAP) (UL94v-0).  
**ACTUATOR:** Brass,chrome plated.  
**BUSHING:** Brass,nickel plated.  
**HOUSING:** Stainless Steel.  
**TERMINAL/CONTACT:**Silver or gold plated.

DCC. NO.
A4 DRAWING NO.

MATERIAL	<b>GOLDSUN ELECTRONICS CO., LTD.</b>			
JAMECO NO.	<b>317244</b>	GOLDSUN NO.	1MS3T1B1M1QE	
DRWN: Kiki Chen	Description			Rev.
VERIFY PEOPLE: Ada Zheng , Ivy Lan	MINIATURE TOGGLE SWITCHES			1
UNIT: mm	SCALE: 3:2	SHEET 1 OF 1	CAS No:	ERN No: