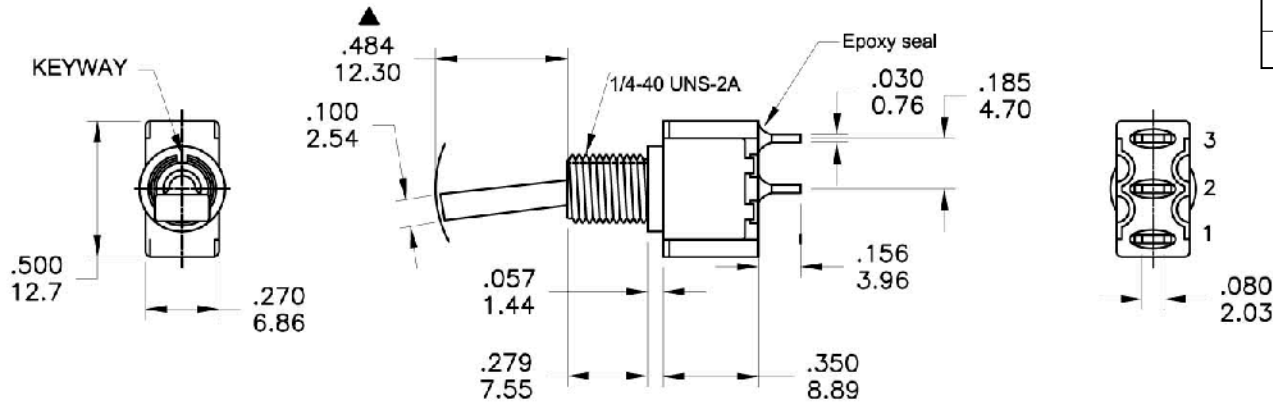
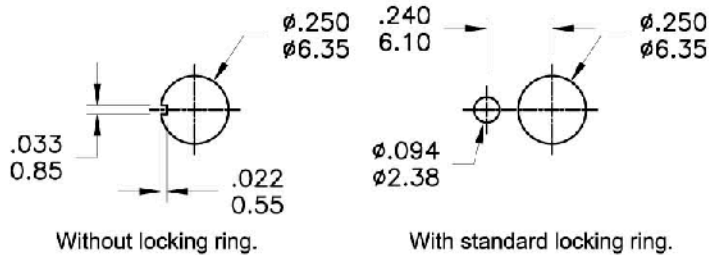


Date	Rev.	Description

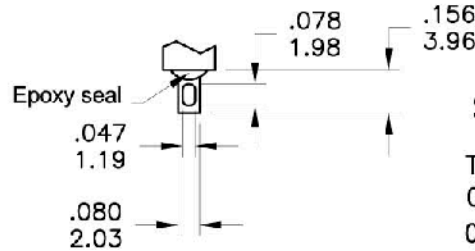


Model No.	POS.1	POS.2	POS.3
1MS9	ON	NONE	OFF
Term. Comm.	2-3	N/A	OPEN
SCHEMATIC			

**SWITCH FUNCTION**



**PANEL MOUNTING**



**SOLDER LUG**

**SCALE: 3 : 2**

**TOLERANCE**

0.00 mm  $\pm$  0.25mm

0.0 mm  $\pm$  0.40mm

ANGULAR :  $\phi$  2.54 mm

FILE NAME : 1MSP0178

**RATING :**

R : 0.4 Volt-Amps(VA) max. @20V max.(AC or DC)

Q : 2Amps @250VAC

5Amps @120 VAC or 28 VDC

**SPECIFICATIONS**

**MECHANICAL LIFE:** 40,000 make-and-break cycles.

**CONTACT RESISTANCE:** 10m $\Omega$  max. initial @ 2-4VDC  
100mA for both silver and gold plated contacts.

**INSULATION RESISTANCE:** 1,000M $\Omega$  min.

**DIELECTRIC STRENGTH:** 1,000 V RMS@sea level.

**OPERATING TEMPERATURE:** -30 $\phi$ XC to 85 $\phi$ XC.

**MATERIALS**

**CASE:** Dially phthalate (DAP) (UL94v-0).

**ACTUATOR:** Brass,chrome plated.

**BUSHING:** Brass,nickel plated.

**HOUSING:** Stainless Steel.

**TERMINAL/CONTACT:**Silver or gold plated.

DCC. NO.
A4 DRAWING NO.

MATERIAL	<b>GOLDSUN ELECTRONICS CO., LTD.</b>		
JAMECO NO.	<b>317287</b>	GOLDSUN NO.	1MS9T6B11M1QE
DRWN: Kiki Chen	Description		Rev.
VERIFY PEOPLE: Ada Zheng , Ivy Lan	MINIATURE TOGGLE SWITCHES		1
UNIT: mm	SCALE: 3:2	SHEET 1 OF 1	CAS No: ERN No: