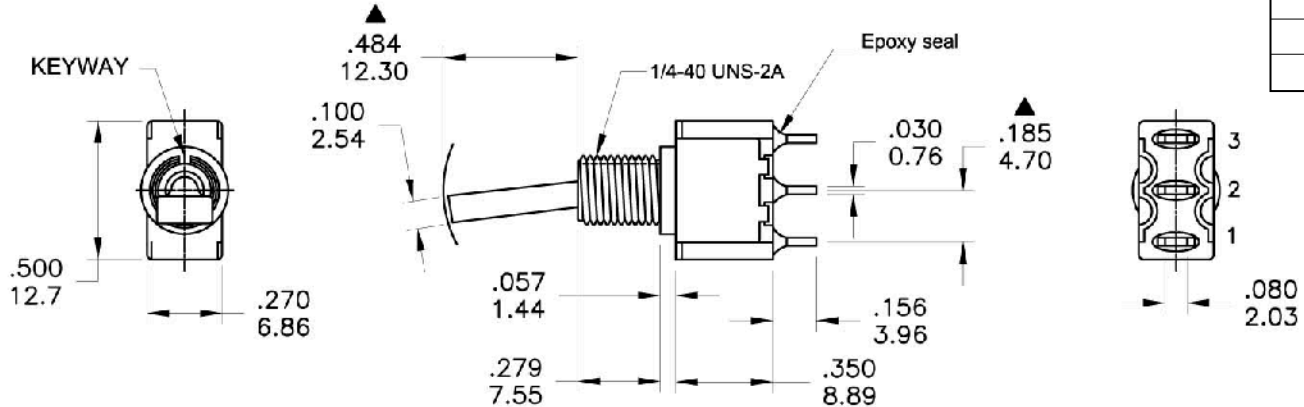
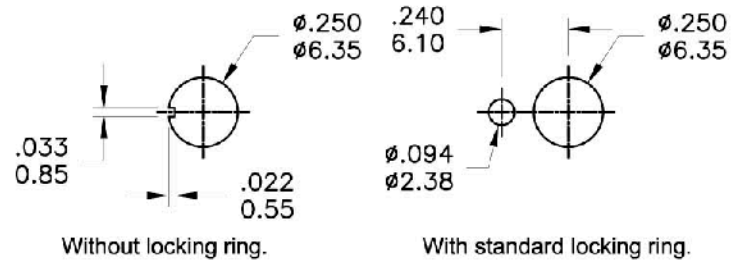


Date	Rev.	Description

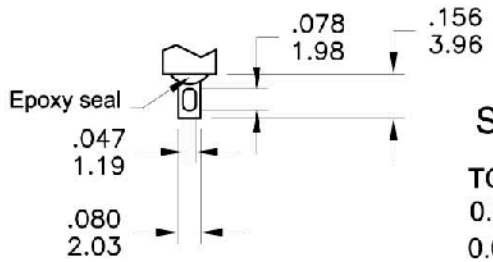


Model No.	POS.1	POS.2	POS.3
1MS3	ON	OFF	ON
Term. Comm.	2-3	OPEN	2-1
SCHEMATIC			

SWITCH FUNCTION



PANEL MOUNTING



SOLDER LUG

SCALE: 3 : 2

TOLERANCE

- 0.00 mm ± 0.25mm
- 0.0 mm ± 0.40mm
- ANGULAR : ± 2.54 mm
- FILE NAME : 1MSP0178
- RATING :

- R : 0.4 Volt-Amps(VA) max. @20V max.(AC or DC)
- Q : 2Amps @250VAC
- 5Amps @120 VAC or 28 VDC

SPECIFICATIONS

- MECHANICAL LIFE:** 40,000 make-and-break cycles.
- CONTACT RESISTANCE:** 10mΩ max. initial @ 2-4VDC
100mA for both silver and gold plated contacts.
- INSULATION RESISTANCE:** 1,000MΩ min.
- DIELECTRIC STRENGTH:** 1,000 V RMS@sea level.
- OPERATING TEMPERATURE:** -30°C to 85°C.

MATERIALS

- CASE:** Dially phthalate (DAP) (UL94v-0).
- ACTUATOR:** Brass,chrome plated.
- BUSHING:** Brass,nickel plated.
- HOUSING:** Stainless Steel.
- TERMINAL/CONTACT:** Silver or gold plated.

DCC. NO.
A4 DRAWING NO.

MATERIAL		GOLDSUN ELECTRONICS CO., LTD.	
JAMECO NO.	317308	GOLDSUN NO.	1MS3T6B11M1QE
DRWN: Kiki Chen	Description		Rev.
VERIFY PEOPLE: Ada Zheng , Ivy Lan	MINIATURE TOGGLE SWITCHES		1
UNIT: mm	SCALE: 3:2	SHEET 1 OF 1	CAS No: ERN No: